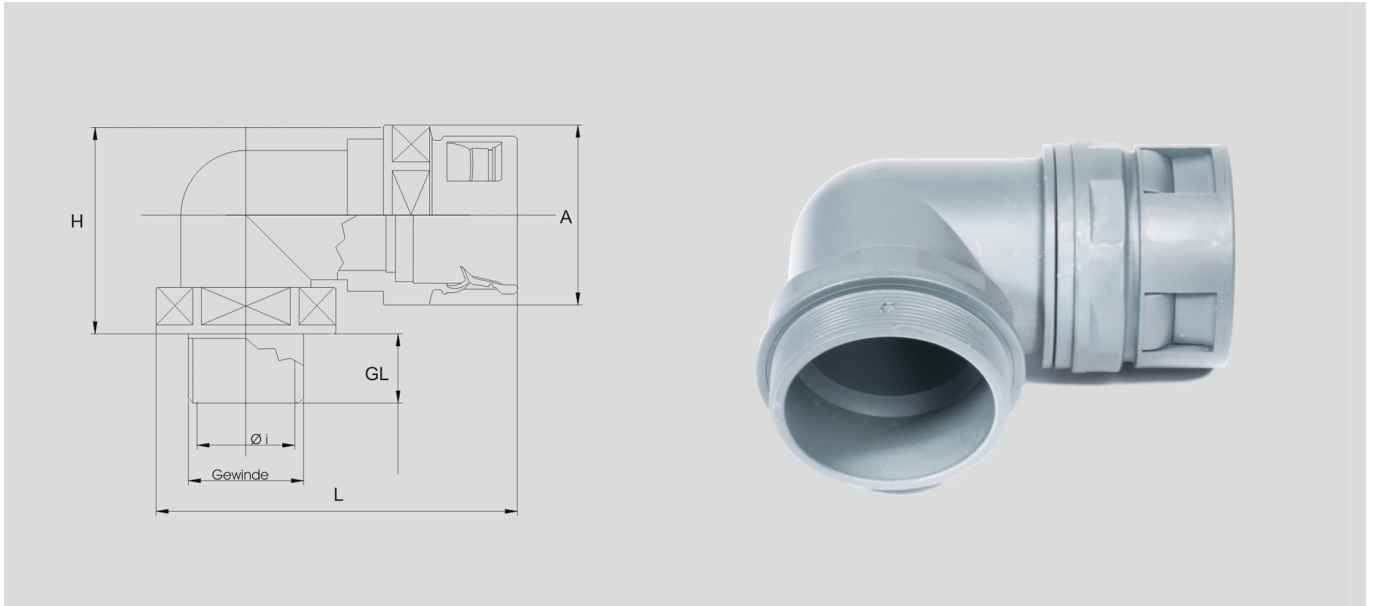


HSSV corrugated tubes conduit gland - elbow 90°

plastic male thread



HSSV gland 90°

Quick-insert glands for a reliable, quick connection.
Suitable for parallel-coiled HELUcond protection tubes.

Application

- Plant and machine construction
- Robot construction
- Automation technology
- Vehicle construction and shipbuilding
- Rail technology
- Installation technology
- Control cabinet construction

Material

Polyamide PA 6

Flammability acc. to UL 94: VO

- halogen-free
- cadmium-free

Properties

resistant to a multitude of

- fuels
- mineral oils
- greases
- weak bases
- weak acids

Note

- UR-tested
 - Protection classification: IP 66 with outer seal
 - Threaded connection: metric to EN 60423
- Each unit includes 1 safety opener.

Technical data

Protection class: IP 65

Temperature range: -40°C up to +110°C

metric thread

Part no. grey	Part no. black	Size Metric	Suitable for ND	Thread length mm	Spanner size mm	Unit	Net EUR/100 items at a purchase of		
							up to 100	101 - 500	501 - 1000
94200	94210	M12 x 1,5	10,0	9,5	-	50	o. r.	o. r.	o. r.
98983	920190	M16 x 1,5	10,0	9,0	-	50	o. r.	o. r.	o. r.
94201	94211	M16 x 1,5	12,0	8,0	-	50	o. r.	o. r.	o. r.
94202	94212	M20 x 1,5	16,0 / 17,0	10,5	-	50	o. r.	o. r.	o. r.
94203	94213	M25 x 1,5	21,0 / 23,0	14,8	-	50	o. r.	o. r.	o. r.
94204	94214	M32 x 1,5	29,0	13,8	-	25	o. r.	o. r.	o. r.
94205	94215	M40 x 1,5	36,0 / 37,0	15,6	-	25	o. r.	o. r.	o. r.
94206	94216	M50 x 1,5	48,0 / 50,0	16,0	-	10	o. r.	o. r.	o. r.
920191	920192	M63 x 1,5	48,0 / 50,0	15,5	-	5	o. r.	o. r.	o. r.

PG thread

Part no. grey	Part no. black	Size PG	Suitable for ND	Thread length mm	Spanner size mm	Unit	Net EUR/100 items at a purchase of		
							up to 100	101 - 500	501 - 1000
98440	98363	9	10,0	9,0	-	50	o. r.	o. r.	o. r.
98441	97382	11	12,0	7,7	-	50	o. r.	o. r.	o. r.
98442	98435	13,5	16,0 / 17,0	10,0	-	50	o. r.	o. r.	o. r.
98443	97944	16	16,0 / 17,0	10,0	-	50	o. r.	o. r.	o. r.
98444	98436	21	21,0 / 23,0	11,8	-	50	o. r.	o. r.	o. r.
98445	98437	29	29,0	11,5	-	25	o. r.	o. r.	o. r.
98446	98438	36	36,0 / 37,0	15,5	-	25	o. r.	o. r.	o. r.
98447	98439	48	48,0 / 50,0	16,0	-	10	o. r.	o. r.	o. r.

Dimensions and specifications may be changed without prior notice.

o. r. = on request