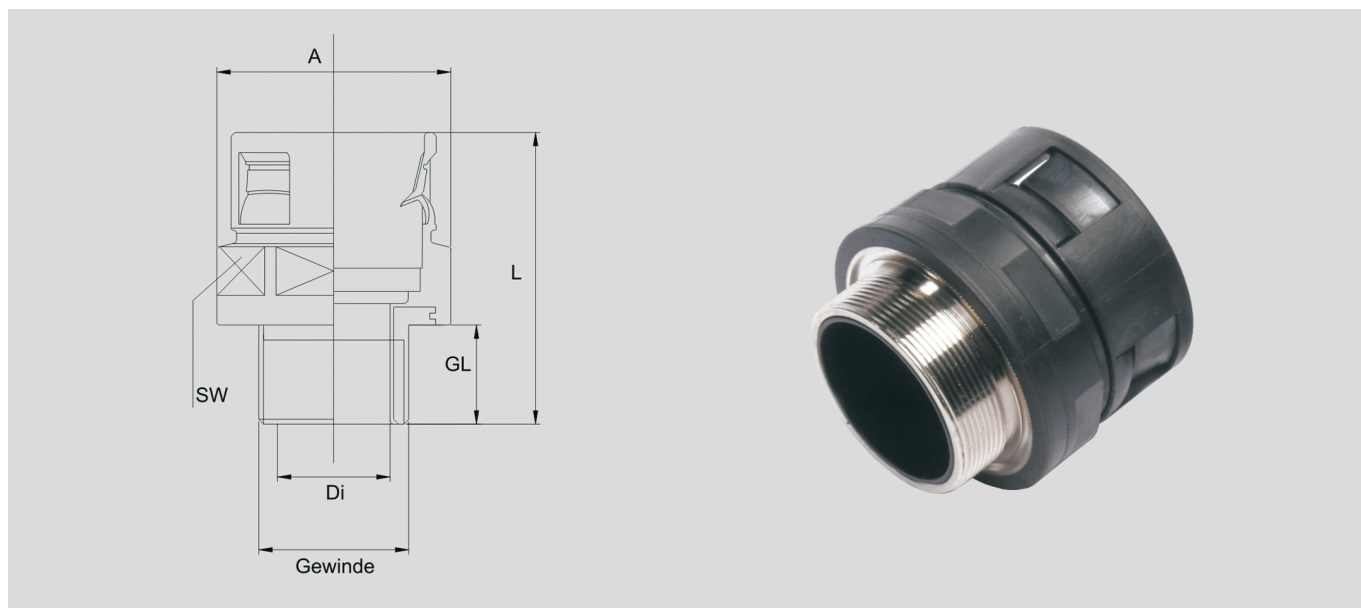


HSSV corrugated tubes conduit gland - straight

metal male thread



HSSV gland straight

Quick-insert glands with metallic male thread for a reliable, quick connection. Suitable for parallel-coiled HELUcond protection tubes.

Application

- Plant and machine construction
- Robot construction
- Automation technology
- Vehicle construction and shipbuilding
- Rail technology
- Installation technology
- Control cabinet construction

Material

Polyamide PA 6

Flammability acc. to UL 94: VO

- halogen-free
- cadmium-free

Properties

resistant to a multitude of

- fuels
- mineral oils
- greases
- weak bases
- weak acids

Note

Protection classification:

- IP 66 with outer seal

Threaded connection:

metric to EN 60423

Each unit includes 1 safety opener

Technical data

Protection class: IP 65

Temperature range: -40°C up to +110°C

metric thread

Part no. grey	Part no. black	Size Metric	Suitable for ND	Thread length mm	Spanner size mm	Unit	Net EUR/ 100 items at a purchase of		
							up to 100	101 - 500	501 - 1000
920229	920238	M12 x 1,5	10,0	10,0	19,0	50	o. r.	o. r.	o. r.
920230	920239	M16 x 1,5	10,0	10,5	19,0	50	o. r.	o. r.	o. r.
920231	920240	M16 x 1,5	12,0	10,5	21,0	50	o. r.	o. r.	o. r.
920232	920241	M20 x 1,5	16,0 / 17,0	12,0	27,0	50	o. r.	o. r.	o. r.
920233	920242	M25 x 1,5	21,0 / 23,0	15,0	36,0	50	o. r.	o. r.	o. r.
920234	920243	M32 x 1,5	29,0	15,0	40,0	25	o. r.	o. r.	o. r.
920235	920244	M40 x 1,5	36,0 / 37,0	16,0	50,0	25	o. r.	o. r.	o. r.
920236	920245	M50 x 1,5	48,0 / 50,0	16,0	65,0	10	o. r.	o. r.	o. r.

Dimensions and specifications may be changed without prior notice.

o. r. = on request