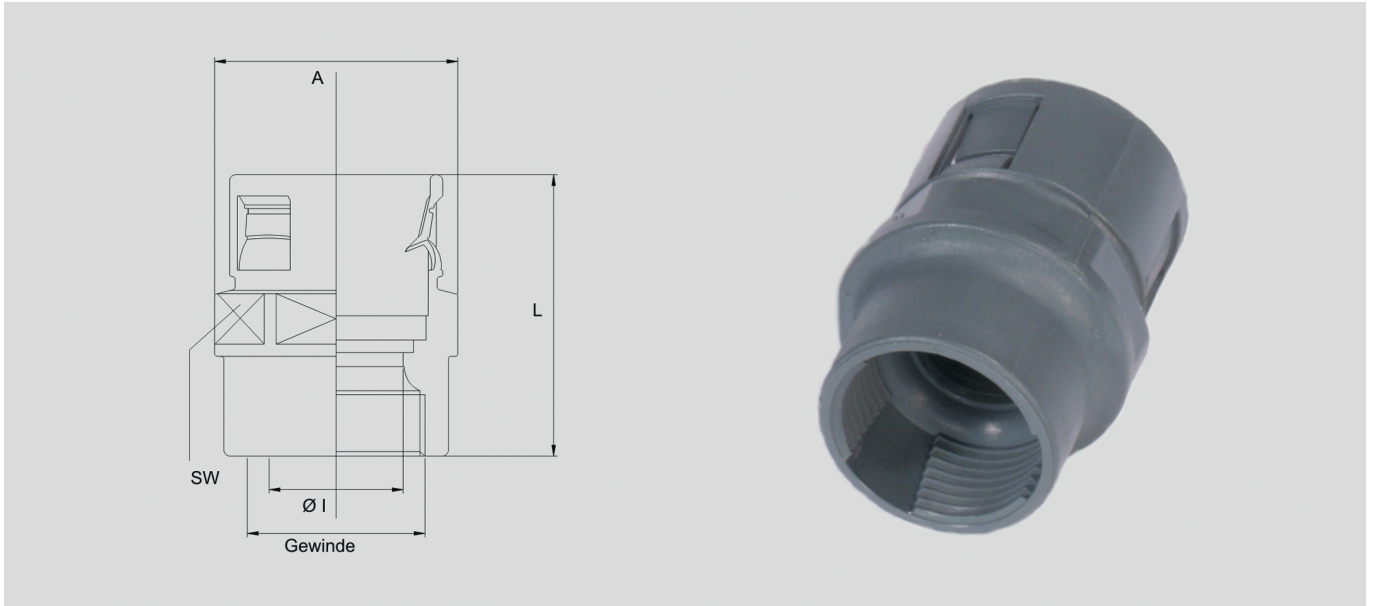


HSSV corrugated tubes conduit gland - straight

plastic female thread



HSSV gland straight

Quick-insert glands for a reliable, quick connection.
Suitable for parallel-coiled HELUcond protection tubes.

Application

- Plant and machine construction
- Robot construction
- Automation technology
- Vehicle construction and shipbuilding
- Rail technology
- Installation technology
- Control cabinet construction

Material

Polyamide PA 6

Flammability acc. to UL 94: VO

- halogen-free
- cadmium-free

Properties

resistant to a multitude of

- fuels
- mineral oils
- greases
- weak bases
- weak acids

Note

Protection classification:

- IP 66 with outer seal

Threaded connection:

metric to EN 60423

Each unit includes 1 safety opener

Technical data

Protection class: IP 65

Temperature range: -40°C up to +110°C

metric thread

Part no. grey	Part no. black	Size Metric	Suitable for ND	Thread length mm	Spanner size mm	Unit	Net EUR/ 100 items at a purchase of		
							up to 100	101 - 500	501 - 1000
920220	920225	M16 x 1,5	12,0	10,5	21,0	50	o. r.	o. r.	o. r.
920221	920226	M20 x 1,5	17,0	12,6	27,0	50	o. r.	o. r.	o. r.
920222	920227	M25 x 1,5	23,0	12,6	36,0	50	o. r.	o. r.	o. r.
920223	920228	M32 x 1,5	29,0	12,0	40,0 / 34,5	25	o. r.	o. r.	o. r.

PG female thread

Part no. grey	Part no. black	Size PG	Suitable for ND	Thread length mm	Spanner size mm	Unit	Net EUR/ 100 items at a purchase of		
							up to 100	101 - 500	501 - 1000
94220	94230	9	10,0	10,2	19,0	50	o. r.	o. r.	o. r.
94221	94231	11	12,0	10,5	21,0	50	o. r.	o. r.	o. r.
94222	94232	13,5	17,0	11,0	27,0	50	o. r.	o. r.	o. r.
94223	94233	16	17,0	10,2	27,0	50	o. r.	o. r.	o. r.
94224	94234	21	23,0	13,5	36,0	50	o. r.	o. r.	o. r.
94225	94235	29	29,0	12,2	40,0	25	o. r.	o. r.	o. r.

Dimensions and specifications may be changed without prior notice.

o. r. = on request