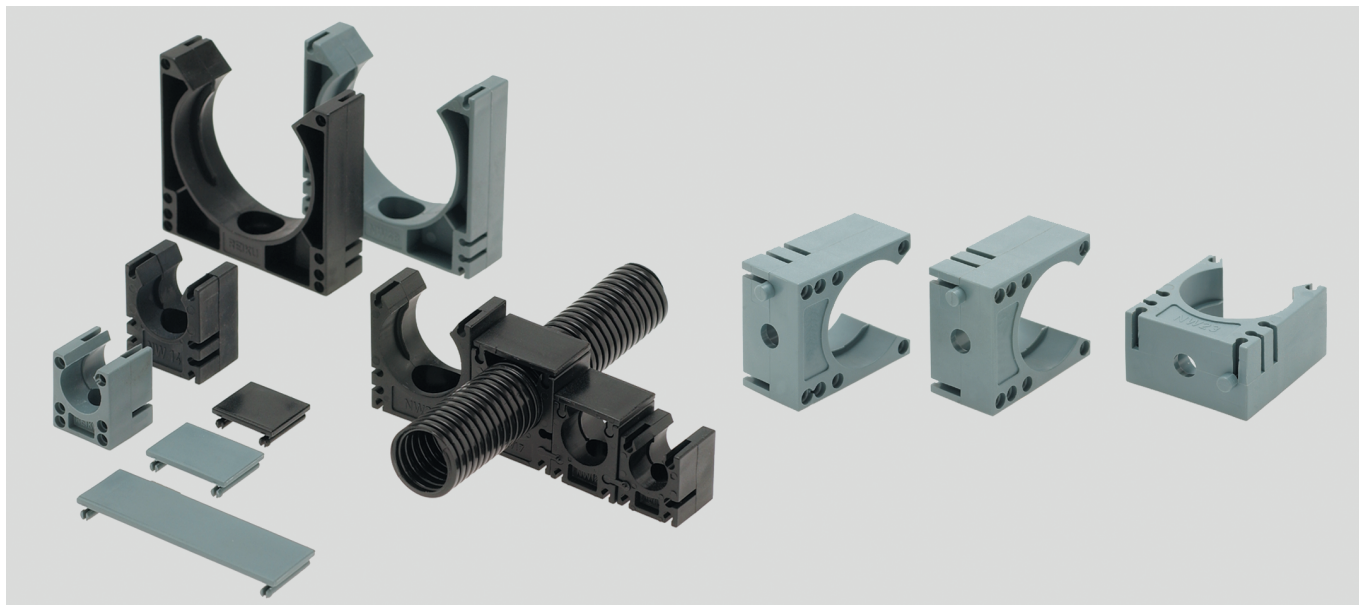


# SH, SHV corrugated tube holder

## system holder



### SH, SHV- system holder

System holder for HELUcond protection tubes. Universal system holder with optional clips for extreme loads. Quick assembly through single-hole fastening.

### Application

- Plant and machine construction
- Robot construction
- Automation technology
- Vehicle construction and shipbuilding
- Rail technology
- Installation technology
- Control cabinet construction

### Material

Polyamide PA 6

Flammability acc. to UL 94

- halogen-free

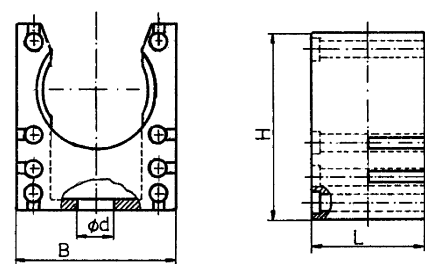
### Properties

resistant to a multitude of

- fuels
- mineral oils
- greases
- weak bases
- weak acids

### Technical data

Temperature range: -40°C up to +110°C



### SH holder

Part no. grey	Part no. black	Suitable for tube ND mm	Width mm	Height mm	Unit	Net EUR/100 items at a purchase of		
						up to 100	101 - 500	501 - 1000
94663	99270	7,0	20,0	18,0	100	o. r.	o. r.	o. r.
94664	99271	10,0	20,0	23,0	100	o. r.	o. r.	o. r.
94665	99272	12,0	22,0	26,0	50	o. r.	o. r.	o. r.
920323	920324	14,0	28,0	33,0	50	o. r.	o. r.	o. r.
94666	99273	17,0	28,0	33,0	50	o. r.	o. r.	o. r.
94667	99274	23,0	35,0	40,0	50	o. r.	o. r.	o. r.
94668	99275	29,0	43,0	45,0	30	o. r.	o. r.	o. r.
94669	99276	36,0	54,0	53,0	20	o. r.	o. r.	o. r.
94670	99277	48,0	68,0	66,0	20	o. r.	o. r.	o. r.

### SHV holder with rotary protection

Part no. grey	Part no. black	Suitable for tube ND mm	Width mm	Height mm	Unit	Net EUR/100 items at a purchase of		
						up to 100	101 - 500	501 - 1000
920325	920330	16/17	28,0	33,0	50	o. r.	o. r.	o. r.
920326	920331	21/23	35,0	40,0	50	o. r.	o. r.	o. r.
920327	920332	29,0	43,0	45,0	30	o. r.	o. r.	o. r.
920328	920333	36/37	54,0	53,0	20	o. r.	o. r.	o. r.
920329	920334	48/50	68,0	66,0	20	o. r.	o. r.	o. r.

Dimensions and specifications may be changed without prior notice.

o. r. = on request