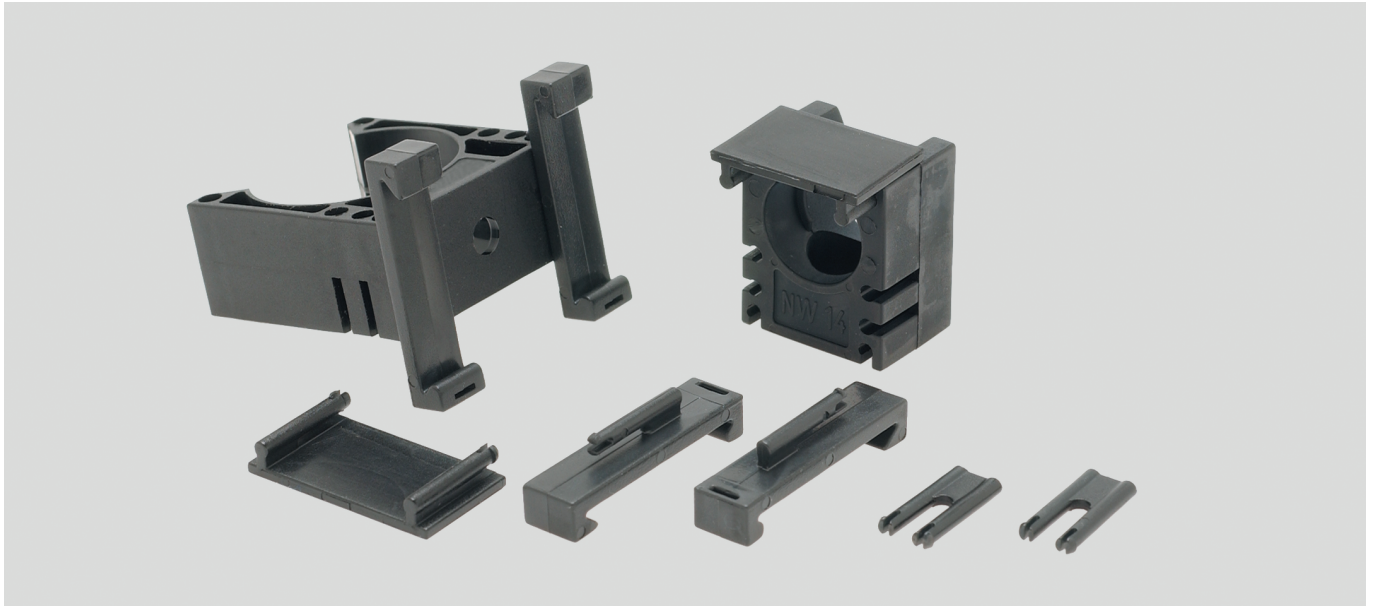


SD, VS, HT corrugated tube holder

system holder accessories



SD/ VS/ HT

Accessories for system holder SH/SHV

Material

Polyamide PA 6

- halogen-free

Properties

Resistant to a multitude of

- fuels
- mineral oils
- greases
- weak bases
- weak acids

Technical data

Temperature range: -40°C up to +110°C

SD cap for holder

Part no. grey	Part no. black	Suitable for tube ND mm	Unit	Net EUR/100 items at a purchase of		
				up to 100	101 - 500	501 - 1000
94671	99278	7,5/10	100	o. r.	o. r.	o. r.
94672	99279	12,0	50	o. r.	o. r.	o. r.
94673	99280	14/16/17	50	o. r.	o. r.	o. r.
94674	99281	21/23	50	o. r.	o. r.	o. r.
94675	99282	29,0	30	o. r.	o. r.	o. r.
94676	99283	36/37	20	o. r.	o. r.	o. r.
94677	99284	48/50	20	o. r.	o. r.	o. r.

VS bond bridge for holder

Part no. grey	Part no. black	Suitable for tube ND mm	Unit	Net EUR/100 items at a purchase of		
				up to 100	101 - 500	501 - 1000
94679	99286	any	100	o. r.	o. r.	o. r.

HT hut-rail clip for holder

Part no. grey	Part no. black	Suitable for tube ND mm	Unit	Net EUR/100 items at a purchase of		
				up to 100	101 - 500	501 - 1000
94678	99285	any	50	o. r.	o. r.	o. r.

Dimensions and specifications may be changed without prior notice.

o. r. = on request