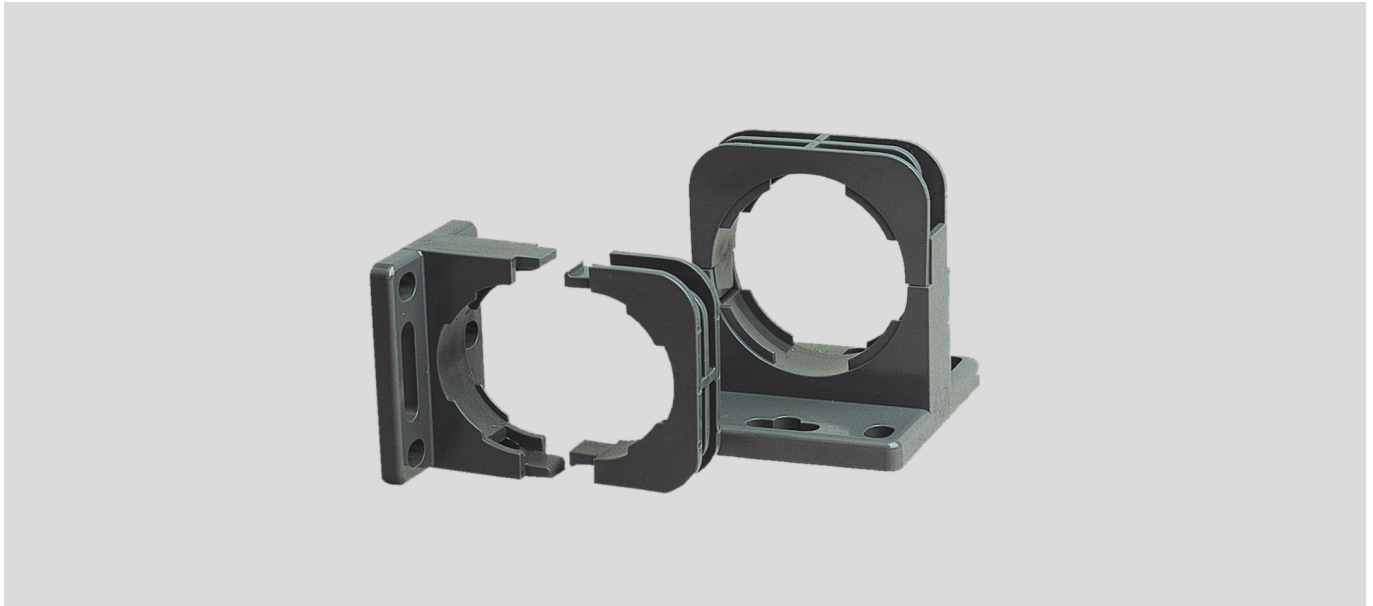


USH corrugated tube holder

with flange pipe holder



USH

Tube holder for HELUcond protection tube. Universal, high-strength tube holder with double struts. Fastening bores suitable for horizontal and vertical rail systems in control cabinet.

Application

- Plant and machine construction
- Robot construction
- Automation technology
- Vehicle construction and shipbuilding
- Rail technology
- Installation technology
- Control cabinet construction

Material

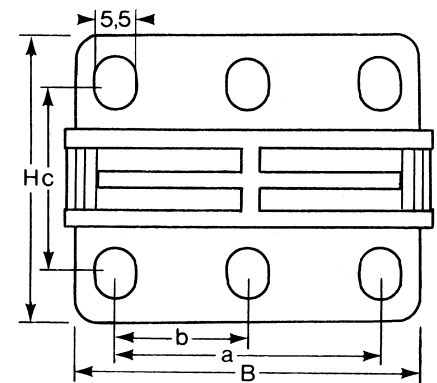
Polycarbonate

Flammability acc. to UL 94

- halogen-free
- phosphor-free
- cadmium-free

Technical data

Temperature range: -30°C up to +100°C



USH with flange pipe holder

Part no. grey	Part no. black	Suitable for tube with outer Ø	Width mm	Height mm	Unit	Net EUR/ 100 items at a purchase of		
						up to 100	101 - 500	501 - 1000
91200	93497	21,0	38,0	40,0	50	o. r.	o. r.	o. r.
91201	93498	28,5	38,0	40,0	50	o. r.	o. r.	o. r.
91202	93499	34,5	46,0	48,0	50	o. r.	o. r.	o. r.
91203	93507	42,5	52,0	59,0	50	o. r.	o. r.	o. r.
91204	93508	54,5	68,0	77,0	50	o. r.	o. r.	o. r.

Dimensions and specifications may be changed without prior notice.

o. r. = on request