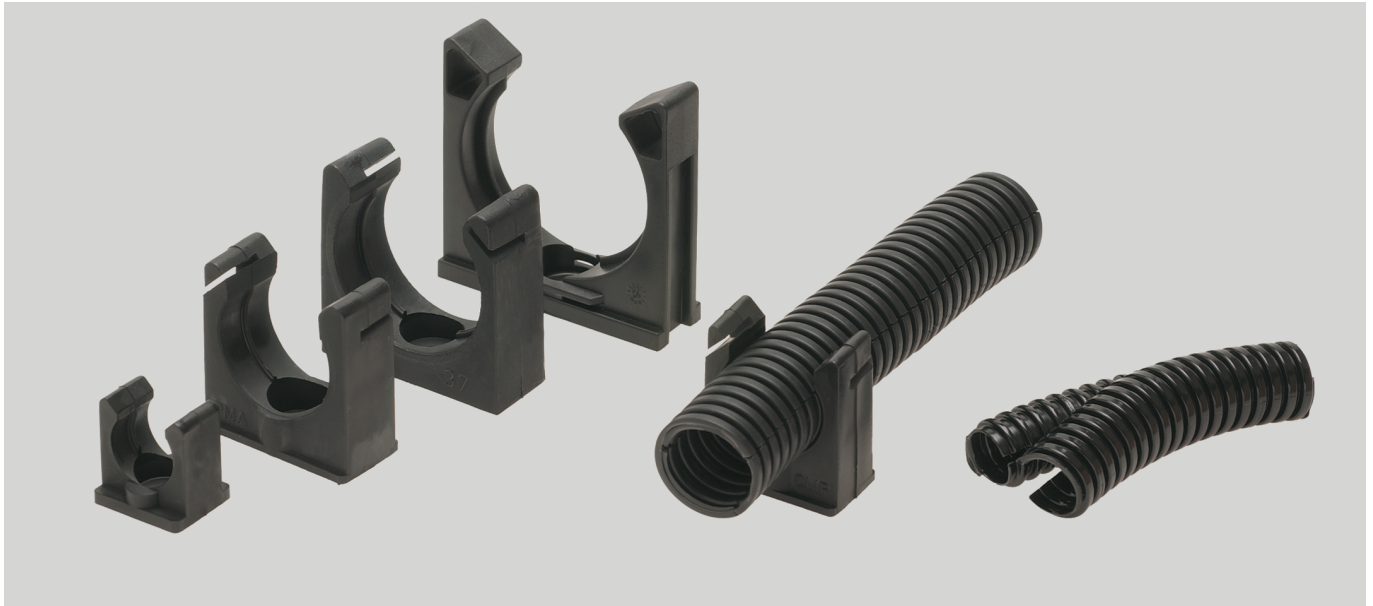


# COS corrugated tubes holder

for dividable corrugated tubes



## Tubing clamp COS

Tube holder for dividable HELUcond CO protection tube

- Quick fastening with integrated rib, which also fixes the protection tube in an axial direction

## Application

- Plant and machine construction
- Robot construction
- Automation technology
- Vehicle construction and shipbuilding
- Rail technology
- Installation technology
- Control cabinet construction

## Material

Polyamide PA 6

Flammability acc. to UL 94

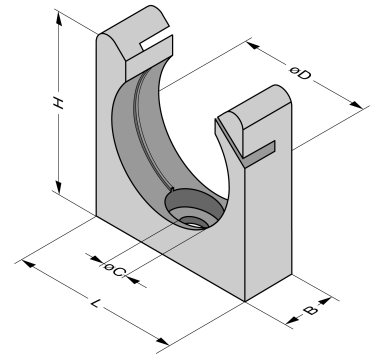
- halogen-free
- cadmium-free

## Properties

- Resistant to a multitude of fuels, mineral oils, greases, weak bases, weak acids

## Technical data

Temperature range: -40°C up to +120°C  
Temperature range temporary up to +140°C



Part no. black	Suitable for tube ND mm	Width mm	Height mm	Unit	Net EUR/100 items at a purchase of		
					up to 100	101 - 500	501 - 1000
920375	10,0	20,0	23,0	100	o. r.	o. r.	o. r.
920357	14,0	20,0	27,0	100	o. r.	o. r.	o. r.
920358	20,0	20,0	40,0	50	o. r.	o. r.	o. r.
920359	23,0	20,0	45,0	50	o. r.	o. r.	o. r.
920360	37,0	20,0	52,0	20	o. r.	o. r.	o. r.
920361	45,0	20,0	66,0	20	o. r.	o. r.	o. r.

Dimensions and specifications may be changed without prior notice.

o. r. = on request