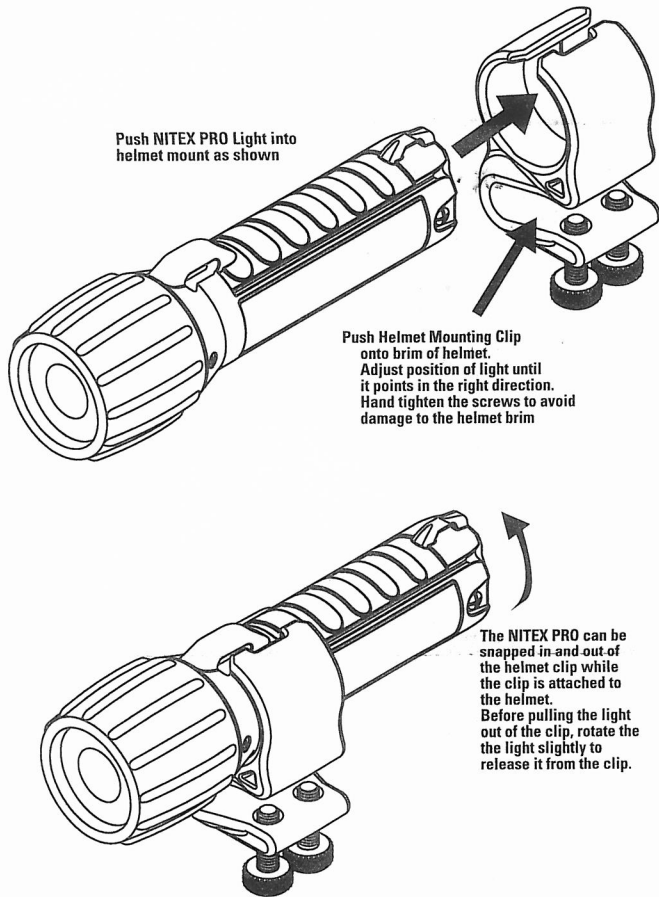




The NITEX PRO helmet mounting clip is made to last from unbreakable glass filled nylon resin. It is designed to clip to the brim of the classic style american fire helmets. It can be attached above or below the brim along the edge in the zone midpoint above the ear.

Note: The NITEX PRO Helmet Mounting Clip is an accessory for the NITEX PRO Light. See your dealer for details.



Push NITEX PRO Light into helmet mount as shown

Push Helmet Mounting Clip onto brim of helmet. Adjust position of light until it points in the right direction. Hand tighten the screws to avoid damage to the helmet brim

The NITEX PRO can be snapped in and out of the helmet clip while the clip is attached to the helmet. Before pulling the light out of the clip, rotate the light slightly to release it from the clip.

Limited Lifetime Warranty

Underwater Kinetics products are engineered for maximum performance and durability. All products carry a Limited Lifetime Warranty to the original retail purchaser to be free from defective material and workmanship under normal and intended use. In addition, the Underwater Kinetics Limited Warranty covers materials used in its products to the original purchaser, from the date of purchase, as follows: plastics for 10 years; rubber for 3 years, LED and electronics for 1 year, rechargeable batteries for 90 days.

In the event the original retail purchaser detects a defect in the material or workmanship, the product along with proof of purchase date should be returned to an authorized Underwater Kinetics dealer or directly to Underwater Kinetics with the postage prepaid. Underwater Kinetics agrees to repair or replace at Underwater Kinetics' sole discretion any product found to be defective in material or workmanship within the time period specified above. For the complete Limited Lifetime Warranty write to Underwater Kinetics or go to the web site www.underwaterkinetics.com.

Address all correspondence and returns to:
Underwater Kinetics
13400 Danielson Street
Poway, CA 92064



Thank you for choosing the NITEX PRO Fire Helmet lighting system. It has been designed with the close cooperation and input from firefighters across the United States and incorporates the latest LED and lithium ion battery technology. The light is incredibly bright, compact and ready when you need it. Since 1971, UK has been designing and manufacturing lights for the harshest environments. Our lights are used by fire fighters and workers in a variety of Hazardous rated industrial locations. With minimal care your UK light will give you years of trouble-free service.

OPERATION

BATTERY INSERTION

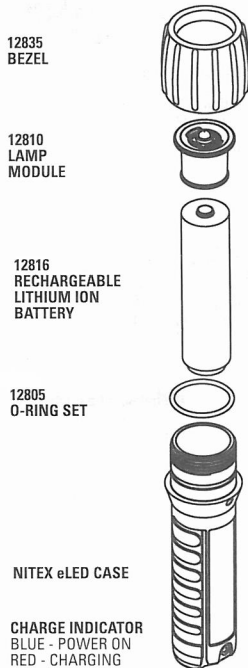
Unscrew and remove the Bezel and Lamp Module. Insert the Rechargeable Lithium Ion Battery into the NITEX eLED Case. Be sure that the positive + terminal touches the Lamp Module after inserting the battery. Make sure the o-rings are clean and lubricated with silicone grease. Replace the Bezel and Lamp Module.

ON / OFF

Press the rubber button located on the end of the NITEX light for ON and OFF. To prevent accidentally turning the light ON during storage or transportation, unscrew the bezel one turn. This disables the switch.

FLASHING LOW BATTERY INDICATOR

When approximately 10 percent of charge on the lithium ion battery remains, the NITEX light will flash briefly every 3 seconds. This indicates that it is time to recharge the battery or replace it with a charged back-up battery.



12835 BEZEL

12810 LAMP MODULE

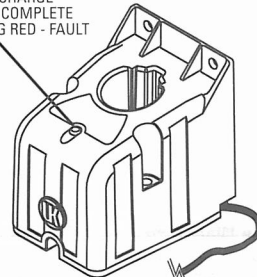
12816 RECHARGEABLE LITHIUM ION BATTERY

12805 O-RING SET

NITEX eLED CASE

CHARGE INDICATOR
BLUE - POWER ON
RED - CHARGING
GREEN - CHARGE COMPLETE
BLINKING RED - FAULT

Patents and patents pending



INPUT FROM CHARGER POWR SUPPLY OR AUTO POWER CORD

12811 NITEX CHARGER DOCK
12812 POWER SUPPLY / UL PLUG
14837 AUTO POWER CORD - 12V DC

CAUTION
Rechargeable Lithium Ion Battery
Improper handling can cause heat, smoke or fire.

- Use only recommended UK charger.
- Do not remove label or disassemble.
- Do not throw in fire.
- Do not short by connecting + to -.
- Charge only indoors. Do not charge when wet.

BATTERY CHARGING

Insert the NITEX light into the charge stand as shown. Plug the charger power supply into a 100-240 VAC, 50-60 HZ power outlet, and plug the cord from the power supply into the side of the charge stand. The charge stand can also be connected to 12 V DC using the optional Auto Power Cord (P/N 14837). Charge 4-5 hours for a complete charge. The indicator light on charger will change from red to green when charging is complete.

CERTIFICATION INFORMATION
NITEX eLED CPO-AT2

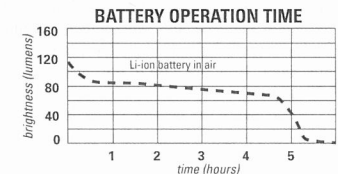
CL I,II, III DIV 2 GROUP A-D, F, G
Conforms to ISA STD 12.12.01, UL STD 783 and certified to CSA STD C22.2 NO. 213.

Intertek 3188451

1. Read the instructions before use.
2. Do not open in hazardous locations.
3. Use only Part No. 12810 lamp module.
4. Use only NITEX 12816 battery
5. Manufactured by Underwater Kinetics, 13400 Danielson Street Poway, CA 92064 USA tel (858) 513-9100; fax (858) 513-9111 info@uwkinetics.com

SPECIFICATIONS

POWER: 1.8 watt
LAMP: High intensity LED
BRIGHTNESS: 90 lumen (Li-ion)
BATTERY: 2200 mA-Hr rechargeable Lithium Ion (optional) 123 Lithium (2x)
BURN TIME: 4-5 hr (Li-ion)
CHARGE TIME: 4 hr
INPUT VOLTAGE: 12 VDC (charger stand) 100-240 VAC 50-60 Hz (wall power supply)
SIZE: 1.4 x 4.6 inch
WEIGHT: 3.7 oz
TEST DEPTH: 1 m



Care and Maintenance

- Keep the area around the O-ring seal clean and free from sand.
- If the light floods with water, empty the contents immediately, rinse with fresh water and dry completely before reassembly.
- Keep battery and charger dry.