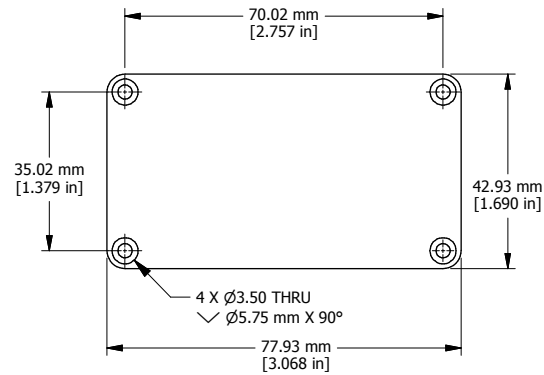
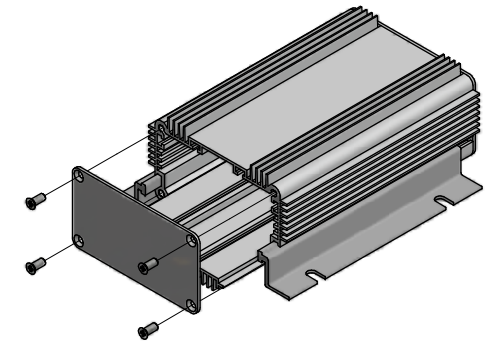
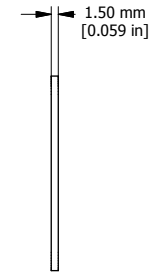


EXTRUSION

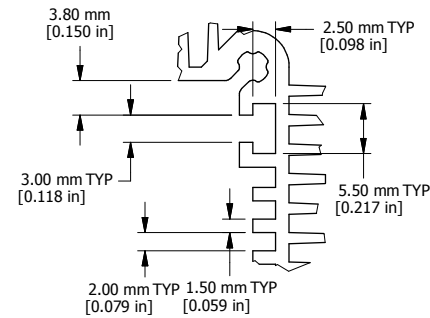
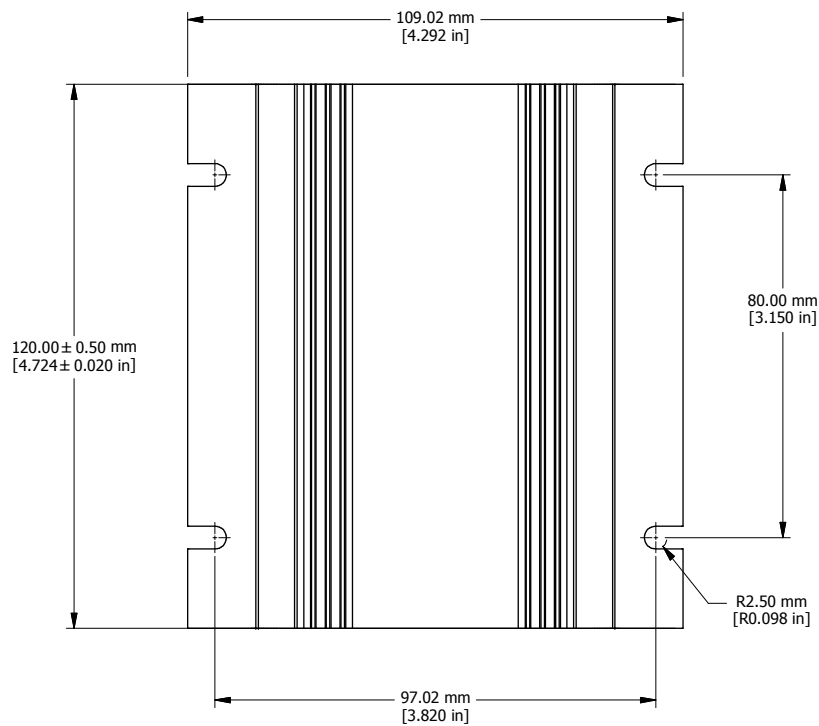


END PLATE



EXPLODED ISOMETRIC VIEW

EXTRUSION DESIGNED FOR  
75MM WIDE PC BOARD



DETAIL A

Enclosures can be Factory Modified ( Milling, Drilling, Printing etc. )  
Solid models of this enclosure available in STEP or IGES.  
Contact Factory [mjm@hammondmfg.com](mailto:mjm@hammondmfg.com)

**NOTE**  
Purchased assembly includes box, aluminum end panels, #6  
Taptight screws and mounting flanges.  
Box made from Extruded Aluminum 6063.

1455KHD1201	
PART NUMBERS	
Clear Anodized	1455KHD1201
Black Anodized	1455KHD1201BK
ACCESSORIES	
See website for accessories.	

