



80W USB-C LAPTOP & QC 3.0 CHARGER

LS-Q5U-PD



User Manual

Product Features:

1. Supply power for laptops, smart phones and tablet PCs.
2. Adopt Qualcomm® Quick Charge™ 3.0 technology, offers fast and efficient charging technology.
3. Adopt USB PD2.0 technology, offers fast and efficient charging for USB-C devices.
4. Ultra slim and curved housing design, compact and portable.
5. Universal output voltage from 5V to 20V, automatic switching, just plug & go.
6. Innovation product, self-designing and produced with own patents.
7. Multiple safety protection: over current protection, over voltage protection, short circuit protection, over temperature protection.

Product specifications:

Model: LS-Q5U-PD

Input: AC 100-240V 50/60Hz 1.8A

Output: DC 5-20V 3.5A (MAX)

Power: 80W (MAX)

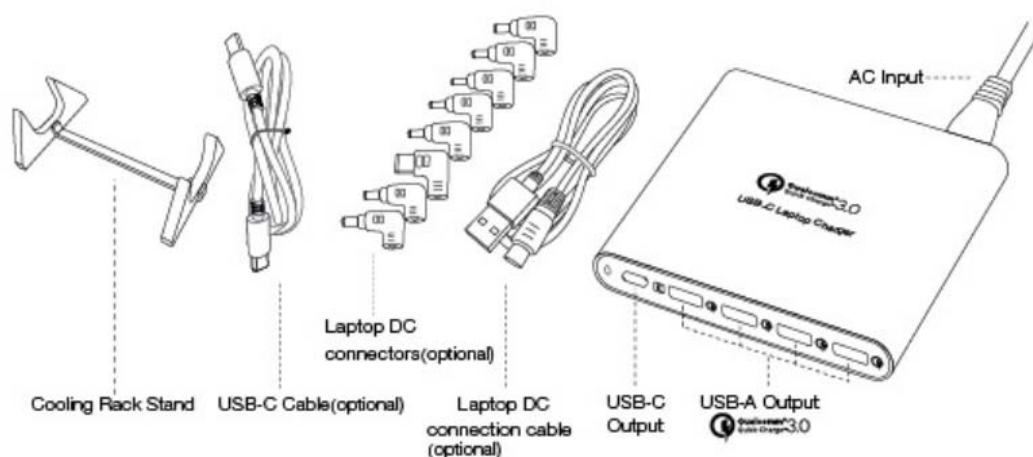
Size: 110 x 98 x 20 mm

Weight: 238 g

Package Content:

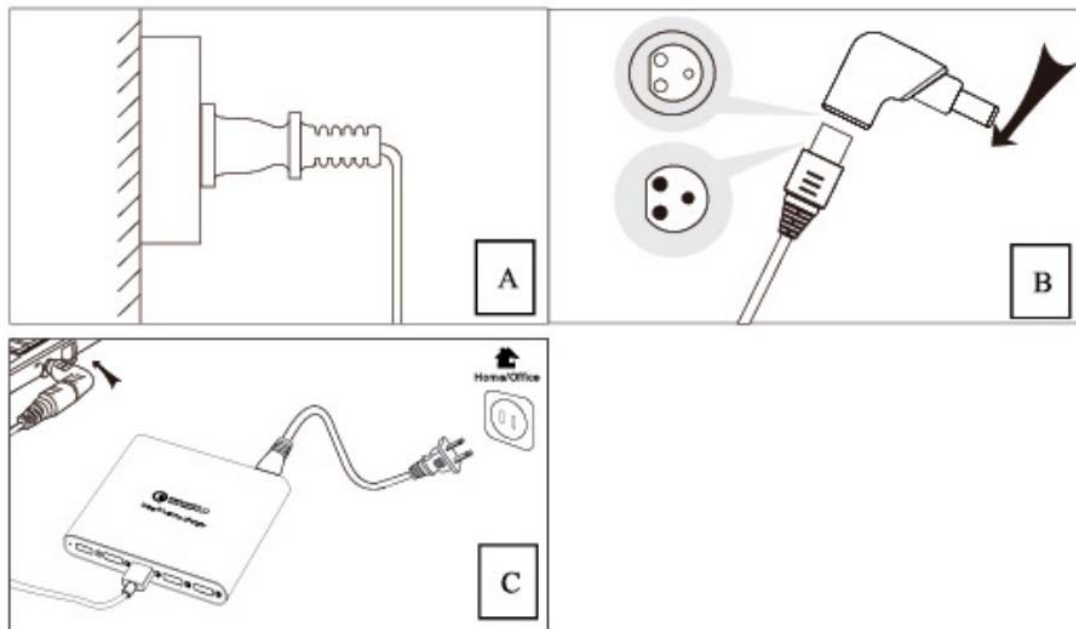
- Main unit
- AC power cables
- USB-C cable
- Laptop DC connection cable(optional)
- Laptop DC connectors(optional)
- User manual

Product Diagram:



Operation Instruction:

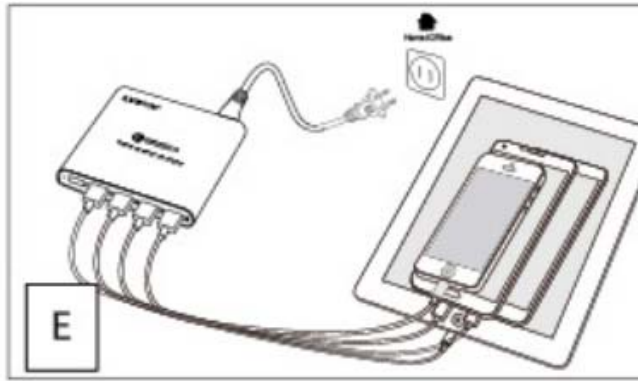
1. When you want to charge or supply power to laptop, connect the AC plug into the wall socket (picture A). Choose the right tip, such as N04, connect it with the Laptop DC connection cable (picture B), insert the joint DC tip to the laptop then it can be used. (picture C)



2. When you want to charge for your USB devices , connect the USB-C cable into the USB-C output port of adapter and insert the other end of USB-C cable into the power port of your laptop computer (as picture D)



3. When you want to charge for your USB devices, connect the USB cable to any of QC3.0 charging ports which offer fast and efficient charging technology for your smart phones and tablet PCs.



Caution: This adapter supports power 80W max. If your used power exceeds 80W, the adapter will occur to be over-load protection. When you re-plug the connection, then it will recover to normal work.

Laptop DC Connector List:

No	Output Voltage	Connectors Spec.	Replacement
N04	19V	4.8*1.7*10.7m m	HP/COMPAQ: 18.5V/2.7A,18.5V/3.5A DELTA:19V/2.64A ASUS:19V/2.64A NEC:19V/2.64A
N07	19V	5.5*2.5*10.7m m	DELL: 19V/3.16A,19V/3.42A DELTA: 19V/2.64A. TOSHIBA: 19V/3.16A,19V/3.42A LITEON: 19V/3.16A,19V/3.42A NEC: 19V/2.64A,19V/3.16A GATEWAY: 19V/3.16A,19V/3.42A
N09	19.5V	6.0*4.3*10.7m m	SONY: 19.5V/2.7A,19.5V/3A FUJITSU: 19V/3.16A
N11	19V	5.5*1.7*10.7m m	ACER: 19V/3.42A DELTA: 20V/3.5A
N18	19V	5.5*2.1*10.7m m	ACER: 19V/3.16A,19V/3.42A LITEON: 19V/3.16A,19V/3.42A NEC: 19V/3.16A
N19	19V	5.5*3.0*10.7m	SAMSUNG: 19V/3.16A

		m	
N23	18.5V	7.4*5.0*12.5mm	HP/COMPAQ: 18.5V/3.5A
N24	20V	7.9*5.5*0.9mm	IBM/LENOVO: 20V/3.25A
N35	20V	11*5.6*11mm square tip	Lenovo: 20V2.25A,20V3.25A
N36	19.5V	4.5*3.0 with pin	HP:19.5V2.31A, 19.5V3.33A

Notes 1: All listing of brand names are registered trademarks of their respective companies.



Notes :

Please check that the product's feature, connector, and voltage will be compatible with your laptops in accordance to your device's manual instruction. Please read this manual and its instructions carefully before use. We are not responsible for any damage caused by incorrect or reckless operation.

Important Safety Information:

This safety guideline is to help you operate your power adapter safely, to ensure your personal safety and reduce the risk of fire, electric shock or injury.

1. Do not apply external force on the cord.
2. Do not unplug by pulling the cord.
3. Do not connect a binded cord to the power supply.
4. Do not place the cord or device near heating elements.
5. Do not bend the blade or pins of the plug.
6. If there is any strange sound, smoke or odor, pull of the cable immediately.
7. Do not disassemble (It may cause fire or electric shock)
8. Do not put any sharp objects into the venting hole of the product (It may cause fire or electric shock)
9. Ensure to plug the product firmly.
10. Ensure not to use a damaged cable. (It may cause fire or electric shock)
11. Do not place the product on a bed, bag or inside a closet that is not good for ventilation.
12. Always wipe off the product with soft fabric, not water mop. (water may cause electric shock)
13. Keep clean the power plug and the outlet (Dirt/dust may cause a short circuit and fire)
14. Keep the product out of reach of children.

15. Don't unplug the power cord with a wet hand. (It may cause electric shock)
16. Unplug the power cord if you don't use the product for a long time.
(It may cause heat, fire and electric shock)

Hereby LVSUN ElectronicsTechnology Co., Ltd declares that this device is in compliance with the requirements of Directive 2014/30/EU (EMC), Directive 2014/35/EU (LVD) and the Directive 2011/65/EU for RoHS compliance. The complete declaration of conformity can be requested by post under the below mentioned manufacturer address.

Warning:

This device is a class B product. This equipment may cause some radio interference in living environment. In this case, the user can be requested to undertake appropriate measures to prevent interference

www.enlvsun.com

LVSUN ElectronicsTechnology Co., Ltd

E-mail: market@enlvsun.com

