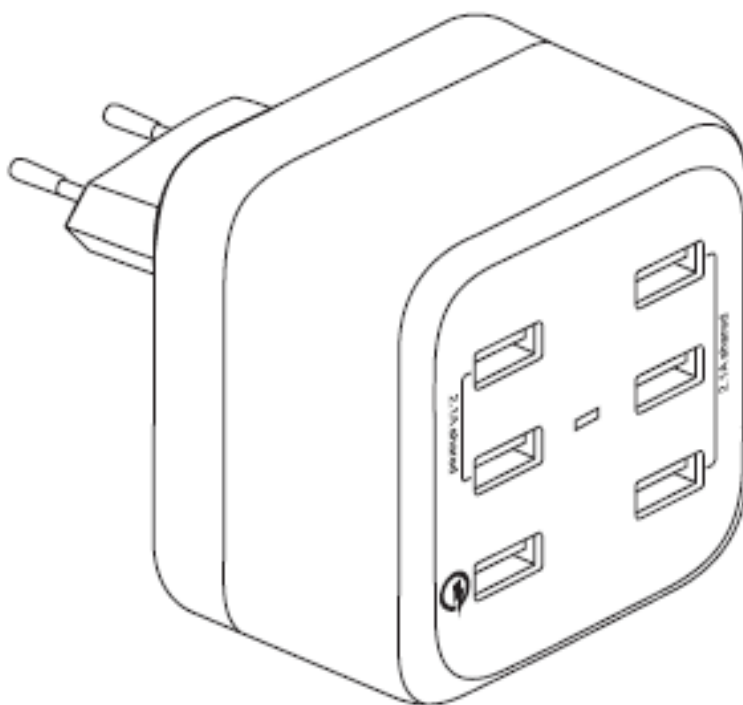


**LVSUN**<sup>®</sup>

— Since 2000 —

# 6-Port USB Fast Charger

LS-6USQ



User Manual

# Product Features

---

1. 6 dedicated USB ports with built-in 34.5W power.
2. Smart and rapid charging. It takes only 30 minutes to charge 60% of Samsung Note4 or 75% faster than conventional USB charger.
3. Multiple output voltage charging. Support 5V/9V/12V. Intelligent auto-detecting, choosing the best solution for your devices.
4. AC input 100-240V, worldwide travel compatible, with optional USA, Europe, UK AC plugs.
5. Multiple safety protection functions: over current protection, over voltage protection, short circuit protection, over temperature protection.

# Product Specification

---

Model: LS-6USQ

Input: AC 100-240V 1A 50/60Hz

Output1: USB 5V 2.4A or 9V1.5A or 12V1.1A

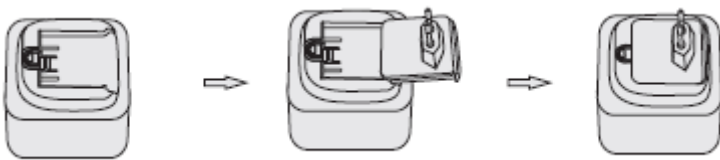
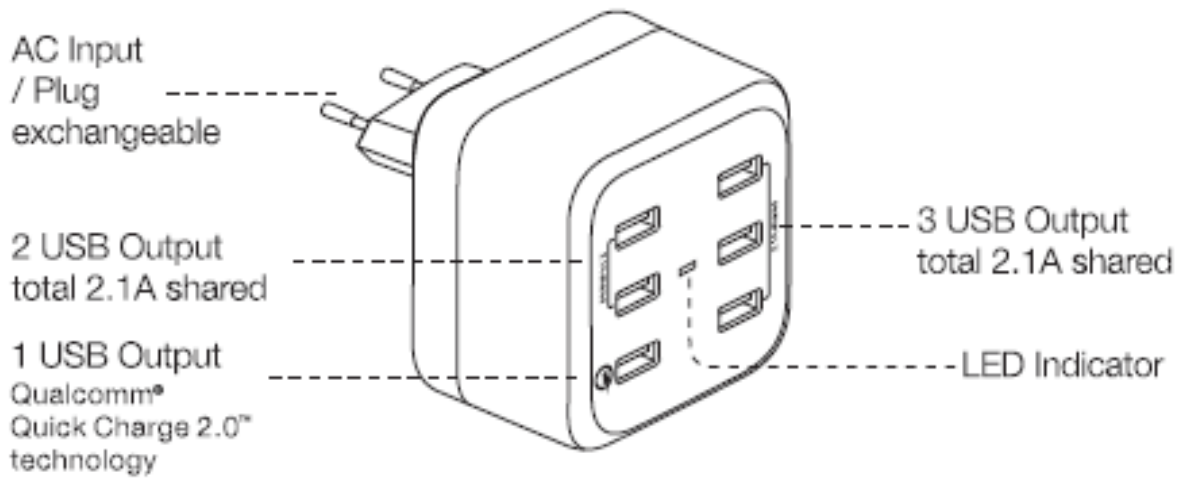
Output 2: DC 5V 2.1\*2

Size:67.5\*67.5\*58mm

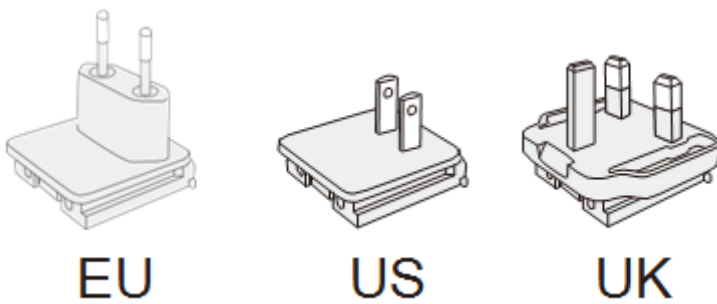
Net Weight: 150g

# Operation Instruction

---



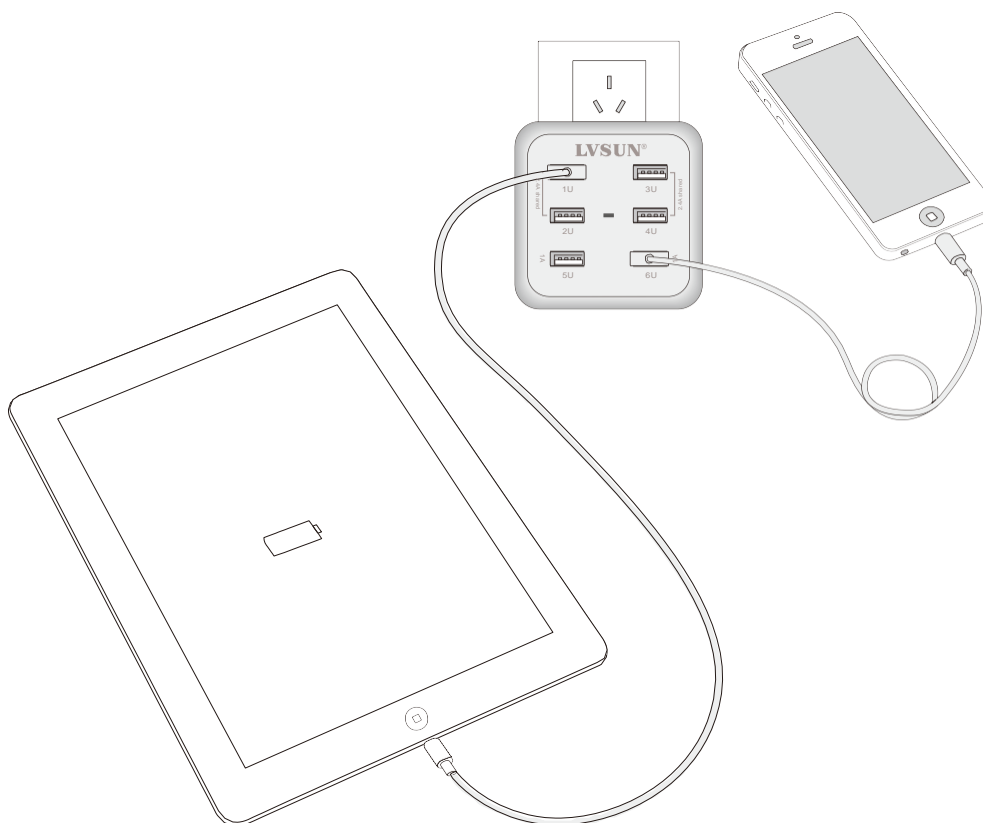
Optional plugs:



# Operation Instruction

---

- 1.The green Quick Charge QC2.0 port can quickly identify the required voltage and charge the smart phones or tablets fast. Such as Samsung Note4, charging 50% only 30 minutes, five times faster than the normal charger.
2. Connect the travel charger to the wall socket directly, then the working indicator shows in green color.
- 3.Plug your devices into right USB port. If you want to charge iPad/tablet PCs,you could choose 2.1A to charge. If you want to charge smart phones, choose 1A to charge.(See below picture)



## Notes:

Maximum charging loading is 34.5W. Multiple products with total power consumption exceeds this limit can't be charged all simultaneously.



## Notes:

Please check that your devices charging specification should be in accordance to our manual instruction. Also read this manual carefully before use. We're not responsible for any damage caused by incorrect or reckless operation.

## Caution

---

1. Do not bend the blade or Pins of the plug.
2. If there is any strange sound, smoke or odor, pull of the cable immediately.
3. Do not disassemble (It may cause fire or electric shock)
4. Do not put any sharp objects into the venting hole of the product. (It may cause fire or electric shock)
5. Ensure to plug the product firmly.
6. Ensure not to use a damaged cable. (It may cause fire or electric shock)
7. Do not place the product on a bed, bag or inside a closet that is not good for ventilation.
8. Always wipe off the product with soft fabric, not water mop.( water may cause electric shock)
9. Keep clean the power plug and the outlet.(Dirt may cause a short circuit and fire)
10. Keep the product out of reach of children.

Hereby LVSUN ElectronicsTechnology Co., Ltd declares that this device is in compliance with the requirements of Directive 2014/30/EU (EMC), Directive 2014/35/EU (LVD) and the Directive 2011/65/EU for RoHS compliance. The complete declaration of conformity can be requested by post under the below mentioned manufacturer address.

Warning:

This device is a class B product. This equipment may cause some radio interference in living environment. In this case, the user can be requested to undertake appropriate measures to prevent interference

**[www.enlvsun.com](http://www.enlvsun.com)**

LVSUN ElectronicsTechnology Co., Ltd

E-mail: [market@enlvsun.com](mailto:market@enlvsun.com)



