

Data sheet

Industry IP67 V5 metal bulkhead

Page 1/5

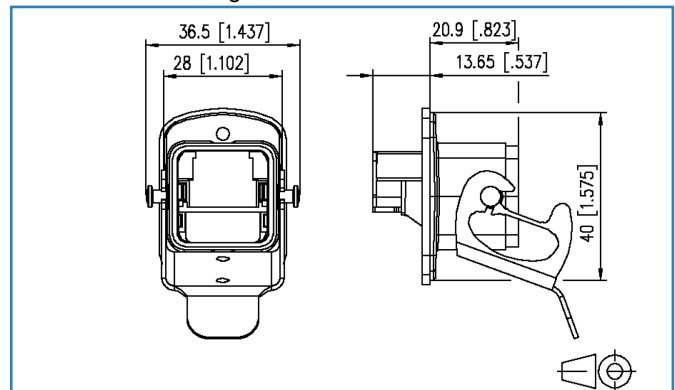
P/N
1401063300ME
EAN 4250184114222

2017-13-04

Illustrations



Dimensional drawing



See enlarged drawings at the end of document



Product specification

- flange with clamp lock acc. to IEC 61076-3-106 Var. 5
- IP67 protected housing for receiving E-DAT Industry flange inserts
- easy to mount due to standard fastening by means of two screws (M3), not included in scope of delivery
- industry-compatible housing with improved durability
- flammability class as per UL 94V-0
- improved resistance to chemical substances
- grounding possible on RJ45 insert using 2.8 mm contact pins
- matching inserts: E-DAT Industry RJ45 field jack insert (T568A, T568B or Profinet), E-DAT Industry RJ45 coupler insert or E-DAT Industry USB coupler insert

Data sheet Industry IP67 V5 metal bulkhead

Page 2/5

P/N
1401063300ME
EAN 4250184114222

2017-13-04

Technical Data

General Data

Fields of application	Harsh environment
Design	Flanged housings
Mounting style	front side
Color	gray
Dimensions	
Dimension (L x W x H)	34.55 x 36.50 x 42.00 mm
Labeling option	on housing

Connections/interfaces

Number of ports interface 2	1
Number of ports interface 2 equipped	0
Protective housing interface 1	V5
Protective housing interface 2	V5
Module plug-in direction	straight

Mechanical characteristics

Locking method (protective housing)	clamp lock
Mounting method	with screws
Life - Number of mating cycles	100

Materials and material properties

Material - Protective housing	die-cast aluminium
Material - Protective housing seal	NBR (nitrile butadiene rubber)
Material - Adapter	PC UL94-V0
Material - Locking latch	stainless steel

Environmental conditions

Temperature (min. - max.)	
Temperature - Storage °C	-40 - 70 °C
Temperature - Storage °F	-40 - 158 °F
Temperature - Operating °C	-40 - 70 °C
Temperature - Operating °F	-40 - 158 °F
Particulate ingress	IP6X
Liquid ingress/immersion	IPX7



Data sheet Industry IP67 V5 metal bulkhead

Page 3/5

P/N
1401063300ME
EAN 4250184114222

2017-13-04

Technical Data

Environmental conditions

Rapid change of temperature	-40°C / -40°F - +70°C / 158°F / 25 cycles t=30 min
Damp heat	+25°C / +77°F / +55°C / +131°F / 93% RH / 21 cycles
Salt spray fog test (NSS Test)	35 °C / 95 °F / 4 days, 5% NaCL
Increased robustness	yes
Increased chemical resistance	yes

Approvals

RoHS	compliant
UL listed (file no.)	DUXR.E178484



The product meets the following standards

Expansion of Communication Circuit Accessories (DUXR) Category	UL 1863
Degrees of Protection Provided by Enclosures	IEC 60529
Connectors for electronic equipment	
Rectangular connectors	DIN EN 61076-3-106

Classifications

ETIM 5.0	EC002597
ETIM 6.0	EC002597

Packing details

Type of packaging	10 pc(s) / box
Packaging unit - Weight (gram)	316.00 g
Packaging unit - Weight (pound)	0.7 lb
Packaging dimension (W x H x D)	247.00 x 161.00 x 58.00 mm
Packaging dimension (W x H x D)	9.724 x 6.339 x 2.283 in.



Data sheet
Industry IP67 V5 metal bulkhead

Page 4/5

P/N
1401063300ME
EAN 4250184114222

2017-13-04

Accessories

P/N	Designation
1401100810MI	E-DAT Industry RJ45 field jack insert Cat.6 Class E _A , T568A
1401200810MI	E-DAT Industry RJ45 coupler insert Cat.6 Class E
1401068100MI	Industry IP67 V5 metal bulkhead protective cap
1401800810MI	E-DAT Industry RJ45 field jack insert Cat.6 Class E _A , T568B
1401900810MI	E-DAT Industry RJ45 field jack insert Cat.6 Class E _A , PROFINET
1401U00812KI	E-DAT Industry USB A 2.0 coupler insert



**Data sheet
Industry IP67 V5 metal bulkhead**

Page 5/5

**P/N
1401063300ME
EAN 4250184114222**

2017-13-04

Illustrations

Dimensional drawing

