

Data sheet

E-DAT Industry IP67 V14 bulkhead normative mounting

Page 1/5

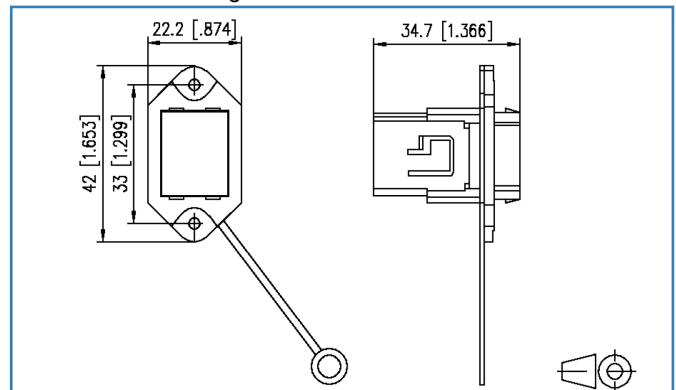
P/N
14010833COMM
EAN 4250184123712

2017-13-04

Illustrations



Dimensional drawing



See enlarged drawings at the end of document

Product specification

- flange with push-pull-lock acc. to ISO/IEC 24702 and IEC 61076-3-117 var. 14
- IP67 protected housing for receiving E-DAT Industry flange inserts
- easy to mount due to standard fastening by means of two screws (M3), not included in scope of delivery
- mounting from the front
- industry-compatible metal housing with improved durability
- flammability class as per UL 94V-0
- improved resistance to chemical substances
- grounding possible on RJ45 insert using 2.8 mm contact pins
- matching inserts: E-DAT Industry RJ45 field jack insert (T568A, T568B or Profinet), E-DAT Industry RJ45 coupler insert or E-DAT Industry USB coupler insert

Technical Data

General Data

Fields of application

Harsh environment

Design

Flanged housings

Mounting style

front side

Color

metallike

Dimensions

Dimension (L x W x H)

34.70 x 22.20 x 42.00 mm

Dimension (L x W x H)

1.366 x 0.874 x 1.654 in.

Connections/interfaces

Number of ports interface 2

1

Number of ports interface 2 equipped

0

Protective housing interface 1

V14

Protective housing interface 2

V14

Module plug-in direction

straight

Cable access/outlet

180°

Mechanical characteristics

Locking method (protective housing)

Push Pull

Mounting method

with screws

Materials and material properties

Material - Protective housing

GD-Zn (zinc die-cast)

Material - Protective housing seal

EPDM (ethylene-propylene-diene)

Environmental conditions

Temperature (min. - max.)

Temperature - Storage °C

-40 - 70 °C

Temperature - Storage °F

-40 - 158 °F

Temperature - Operating °C

-40 - 70 °C

Temperature - Operating °F

-40 - 158 °F

Particulate ingress

IP6X

Liquid ingress/immersion

IPX7

Technical Data

Approvals

RoHS compliant

The product meets the following standards

Generic cabling systems

Industrial area ISO/IEC 24702

Degrees of Protection Provided by Enclosures IEC 60529

Connectors for electronic equipment

Rectangular connectors DIN EN 61076-3-117

Classifications

ETIM 5.0 EC002597

ETIM 6.0 EC002597

Packing details

Type of packaging 10 pc(s) / box

Packaging unit - Weight (gram) 436.00 g

Packaging unit - Weight (pound) 0.96 lb

Packaging dimension (W x H x D) 247.00 x 161.00 x 58.00 mm

Packaging dimension (W x H x D) 9.724 x 6.339 x 2.283 in.

E-DAT Industry IP67 V14 bulkhead normative mounting

P/N

14010833COMN

EAN 4250184123712

2017-13-04

Accessories

P/N	Designation
1401100810MI	E-DAT Industry RJ45 field jack insert Cat.6 Class E _A , T568A
1401200810MI	E-DAT Industry RJ45 coupler insert Cat.6 Class E
1401800810MI	E-DAT Industry RJ45 field jack insert Cat.6 Class E _A , T568B
1401900810MI	E-DAT Industry RJ45 field jack insert Cat.6 Class E _A , PROFINET
1401U00812KI	E-DAT Industry USB A 2.0 coupler insert



Illustrations

Dimensional drawing

