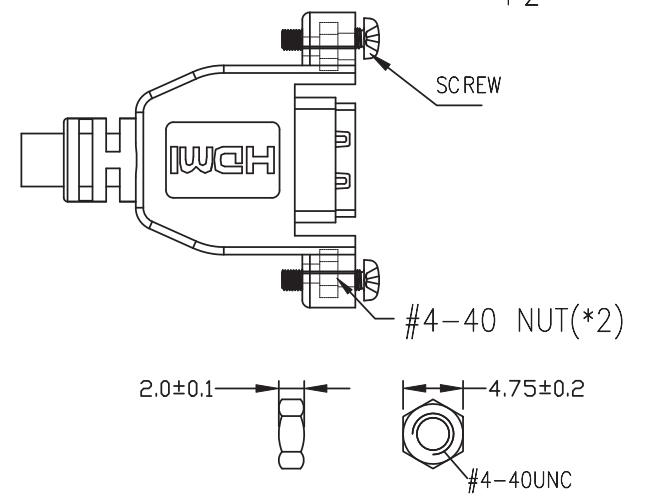
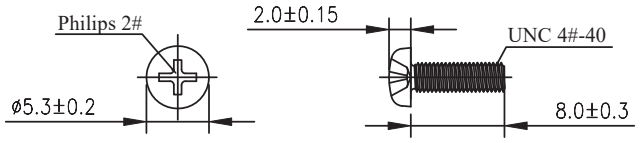


**WIRE CONNECTION**

P1	P2 COLOR	P1	P2 COLOR
1	1 WHITE	10	10 WHITE
3	3 BROWN	12	12 RED
2	2 DRAIN	11	11 DRAIN
4	4 WHITE	14	14 WHITE
6	6 BLUE	19	19 ORANGE
5	5 DRAIN	17	17 DRAIN
7	7 WHITE	13	13 RED
9	9 GREEN	15	15 ORANGE
8	8 DRAIN	16	16 YELLOW
		18	18 WHITE
		SHELL	SHELL BRAID



- NOTE:**
- CABLE: HIGH SPEED HDMI CABLE WITH ETHERNET(28AWG\*1P+AL+D+MYLAR)\*5C +28AWG\*4C AL-FOIL AND BRAID(A-MALLOY)SHIELDED WITH DRAIN WIRE(BARE COPPER),BLACK PVC JACKET, OD:7.3±0.15mm.
  - CONNECTOR: P1: HDMI 19P MALE: BLACK, GOLD PLATED SHELL. P2: HDMI 19P FEMALE: BLACK, GOLD PLATED SHELL.
  - SHIELDED: COPPER FOIL TAPE COVER PREMOLD AND 360° SOLDER TO CONNECTOR SHELL AND CABLE BRAID.
  - HOOD: P1: MOLDED 45P BLACK PVC; P2: MOLDED 25P BLACK PVC.
  - TEST: 100% ELECTRICAL TESTING.AND VIDEO TESTING(1080P;1920\*1080 60HZ).
  - MODE NO: TNT-HDMI-07/N07,TNT-HDMIF-02,TNT-HDMIF-N01.

<b>DEL LOCK</b> we move the world		Title: Cable HDMI-A male > HDMI-A female panel-mount 4K 30 Hz 0.5 m	
Date	2019 / 01 / 08	Item no.	<b>85463</b>
Unit	mm	Barcode	4043619854639
Projection		File No.	88150
Rev	A		