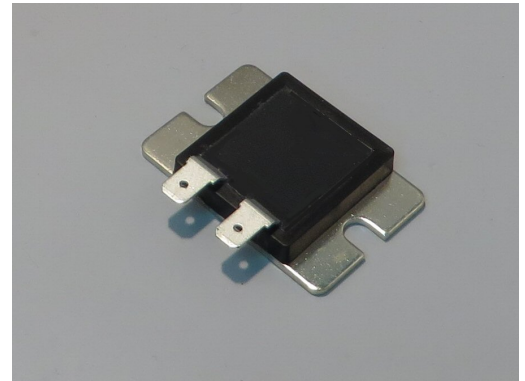


300W

CHASSIS MOUNTING NON-INDUCTIVE
QUICK CONNECT HIGH POWER RESISTORS

RPL320F



Features and Applications

Quick connect, flat type, 300W high power resistor. Attaching an air-cooled heat sink or water-cooling necessary.

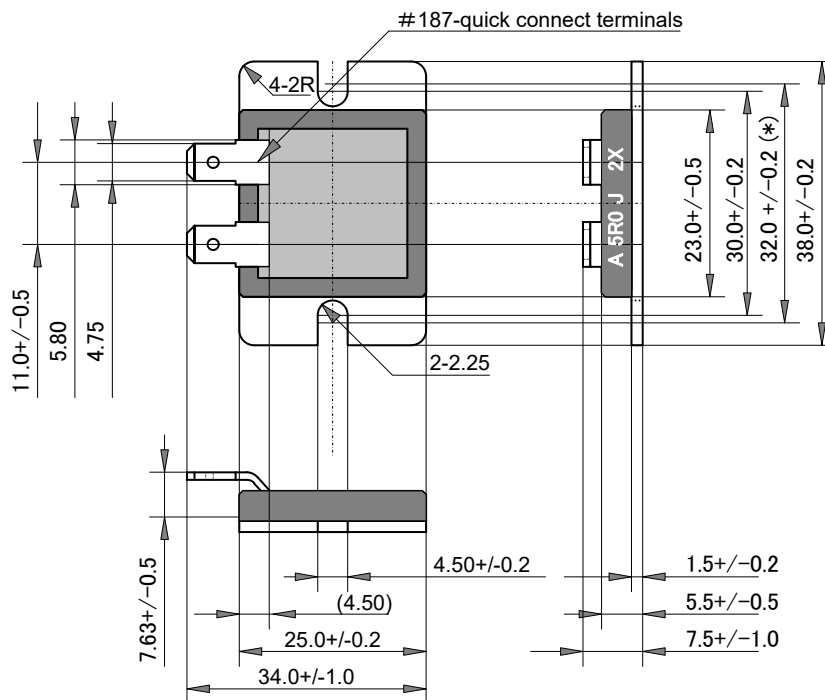
300W rated power at 25°C and 175 °C maximum operating temperature.

#187 quick connect tab terminals provide easy to assemble.

Higher density packing, vibration-proof, insulation withstand voltage and perfect heat dissipation possible.

Applications include harmonic filter, snubber resistors, surge protection, breeder resistor, dummy load, gate resistor, dumping resistor for automotive electronics, power supplies, pulse generators, high frequency amplifiers, theater audio equipment and power electronics.

Dimensions



RPL320F

300W

RPL320F

CHASSIS MOUNTING NON-INDUCTIVE FLAT TYPE HIGH POWER RESISTORS

Ordering Information

Type RPL320F	TCR A	Resistance 10R0	Tolerance J	Code Z05	Note
RPL320F	A (100ppm)	10 ohm	J (5%)	Z05	RoHS, tray package
		E24+ (*)			

(*)Resistance value is available following modified E24, +E24, when request for optional resistance please call factory.

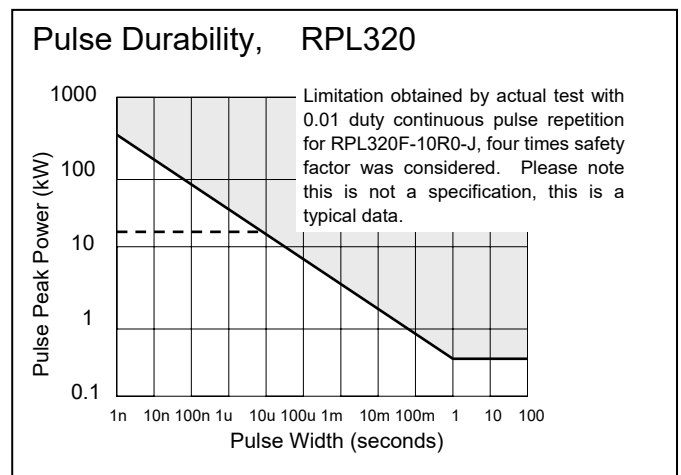
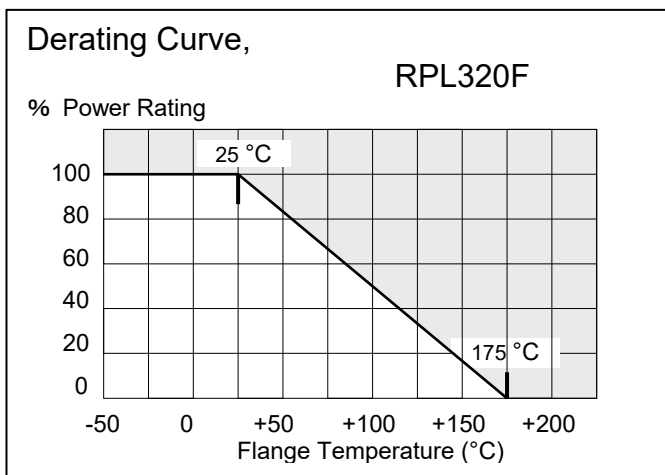
1.0	1.1	1.2	1.3	1.5	1.6	1.8	2.0	2.2	2.4	2.5	2.7	3.0	3.3
3.6	3.9	4.0	4.3	4.7	5.0	5.1	5.6	6.2	6.8	7.5	8.0	8.2	9.1

Specifications and Performances

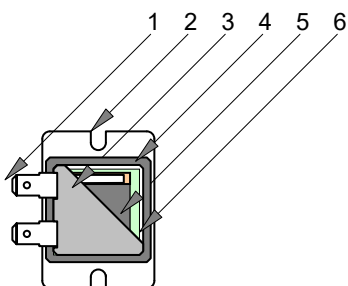
--	Specifications	Conditions
Rating Power	300 Watts	At flange temperature -55°C to +25 °C
Heat Resistance	0.23 °C/W	From resistor to flange
Resistance Range	0.1 ohm to 1Mohm	Lowest 0.1 ohm is available, 0.1ohm – 1Mohm
Nominal Resistance	E24+	Modified E24, additionally, 2.0 and 5.0.
TCR	+/-100 ppm/K (A)	For -55 to +175 °C
Tolerance	+/-5% (J)	
Operation Temp.	-55°C to +175°C	At flange element surface
Max. Applied Voltage	$E = \sqrt{P \cdot R}$ or 1000V	
Withstanding Voltage	2000 VAC	60 seconds between terminals and flange. Leak current below 0.5mA
Load Life	□R+/-1.0 %	Continuous power 1000hours.
Humidity	□R+/-1.0 %	60 °C, 90 to 95%RH, DC0.1W, 1000hours.
Temperature Cycle	□R+/-1.0 %	-55 °C, 30 min., +155 °C 30min., 5 cycles.
Insulation Resistance	Over 1000 Meg ohm	Between terminals and flange.
Vibration	□R+/-0.5 %	Note 2
Flammability	UL94V-0	For resistor body
Weight	24 grams	

Note 1: Torque: Mounting 1.6Nm max, 1.0Nm recommend.

Note 2: IEC60068-2-6, displacement 0.75mm or acceleration 100m/sec², 10Hz-54Hz sweep, 10 cycles X-Y-Z direction.



Materials



1	Terminals	#187tab terminals
2	Flange	Ni plated copper
3	Molding	Epoxy resin
4	Case	Glass fiber filled PA6 resin
5	Resistor	Thick film
6	Substrate	Alumina ceramics

20161001