

Waterproof USB Connectors

M16-Panel mount connector
 Front mounting, Solder cup
 USB 2.0 Type A

Protection: IP 54
 (Assembled with CAP)

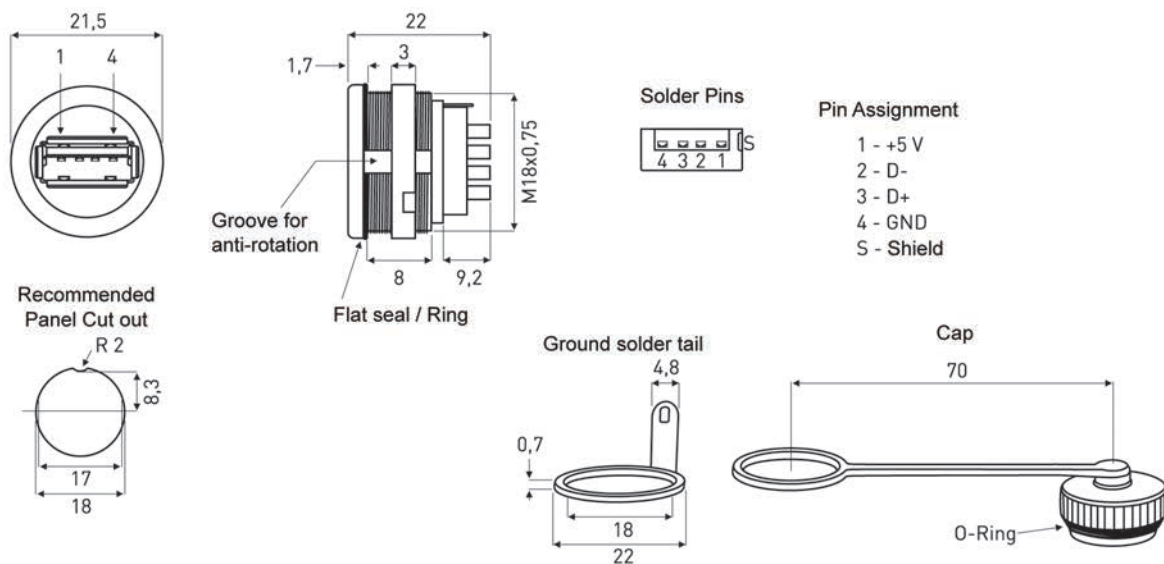
Contacts: 4 + 1 Shield connection

Terminal: Solder Cup

Housing material: Zinc

Contact plating: Gold-plated

Kit: Including CAP, ground solder tail + Circular nut



M16 Panel mount USB 2.0 Type A, Full Metal housing

Connector:	Part No:
Panel Conn, Metal	1310-0003-01

Accessories:	Part No:
Mounting Tool for Ring nut	1310-0099-01



Encitech AB
 Rörkullsvägen 4
 SE-302 41 HALMSTAD, Sweden

Tel.: +46-(0)35-15 13 90
 Fax: +46-(0)35-15 13 99

www.encitech.com