

## Waterproof USB Connectors

### M12 - Mini-USB Panel Connector

Rear mount, Solder pin

Mini-USB 2.0 Type B -Socket



Protection: IP 67  
(Assembled with CAP)

Contacts: 5 + 1 Shield connection

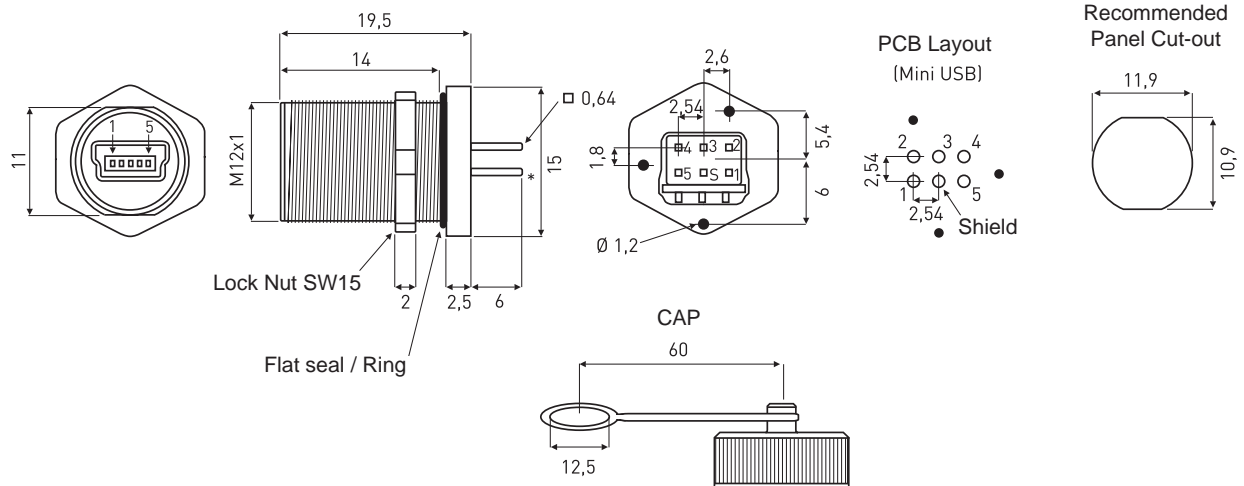
Terminal: Solder Pin

Housing material: Plastic, Black (PA)  
UL 94-HB, black or metalized

Contact plating: Gold-plated

Kit: Including Gasket + nut

Connection cable: See next page



### M12 - Mini-USB Panel Connector

Connectors:	Part No:
Plastic Contact	1310-0008-01
Metalized Contact	1310-0008-02

Accessories:	Part No:
Plastic Cap, Black	1310-0008-03
Lock Nut, Metal, M12	1310-0008-04

