

Waterproof USB Connectors

Mini-USB 2.0 Connection Cable

End 1: M12 Connector with

Mini-USB 2.0 Type B

End 2: Plug, USB 2.0 Type A



Protection: IP 67

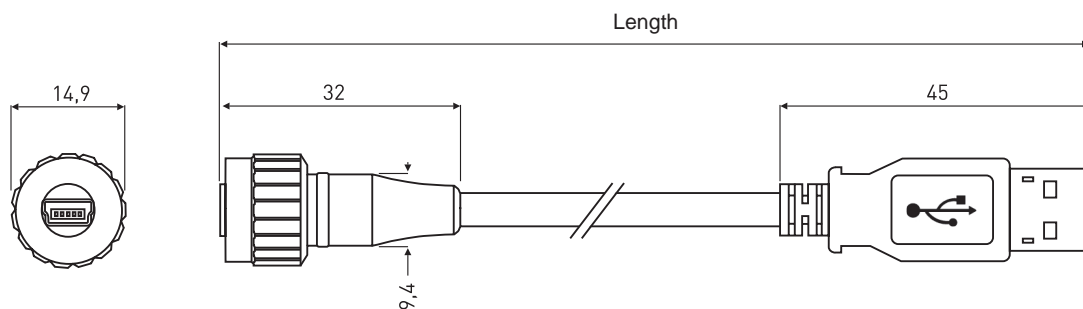
(In locked condition with mating part)

Contacts: 5 + 1 Shield connection

Housing material: Plastic, Black (PA)

Contact plating: Gold-plated

Mating part: See previous page



Mini USB 2.0 - Type B, Connection Cable to standard USB Type A

| Cable length: | Part No: |
|---------------|--------------|
| 1.0m | 1310-0009-01 |
| 3.0m | 1310-0009-02 |
| 5.0m | 1310-0009-03 |



Encitech AB
Rörkullsvägen 4
SE-302 41 HALMSTAD, Sweden

Tel.: +46-(0)35-15 13 90
Fax: +46-(0)35-15 13 99

www.encitech.com