

## Waterproof USB Connectors

Mini-USB 2.0 Extension cord

End 1: M12 housing with

Mini USB 2.0 Type B

End 2: Plug, Mini-USB 2.0 Type B

Protection: IP 64 / IP 67

(M12 housing -front, with cap mounted)

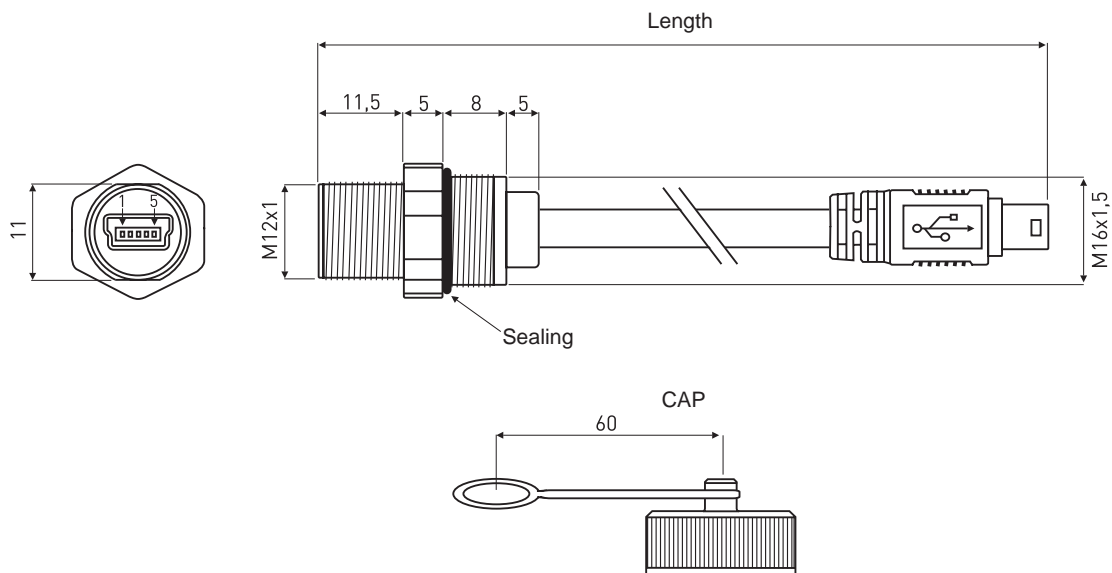
Contacts: 5

Housing material: M12 plastic housing

(PA6 / GF30), glass fiber reinforced, UL 94-HB, black

Contact plating: Gold

Connection cable: See previous page



### Mini USB 2.0 - Type B Extension cord

Cable length:	Part No:
---------------	----------

0.5m	1310-0009-10
------	--------------

1.0m	1310-0009-11
------	--------------

1.5m	1310-0009-12
------	--------------

2.0m	1310-0009-13
------	--------------

3.0m	1310-0009-14
------	--------------

Accessories:	Part No:
--------------	----------

Plastic Cap, Black	1310-0008-03
--------------------	--------------

Lock Nut, Plastic, M16	1310-0008-05
------------------------	--------------

Lock Nut, Metal, M16	1310-0008-06
----------------------	--------------



Encitech AB  
Rörkullsvägen 4  
SE-302 41 HALMSTAD, Sweden

Tel.: +46-(0)35-15 13 90  
Fax: +46-(0)35-15 13 99

[www.encitech.com](http://www.encitech.com)