

## Waterproof USB Connectors

### Micro-USB 2.0-Cable

End 1: M16 Panel Connector

with Micro-USB 2.0 Type B

End 2: Plug, Micro-USB 2.0 Type B

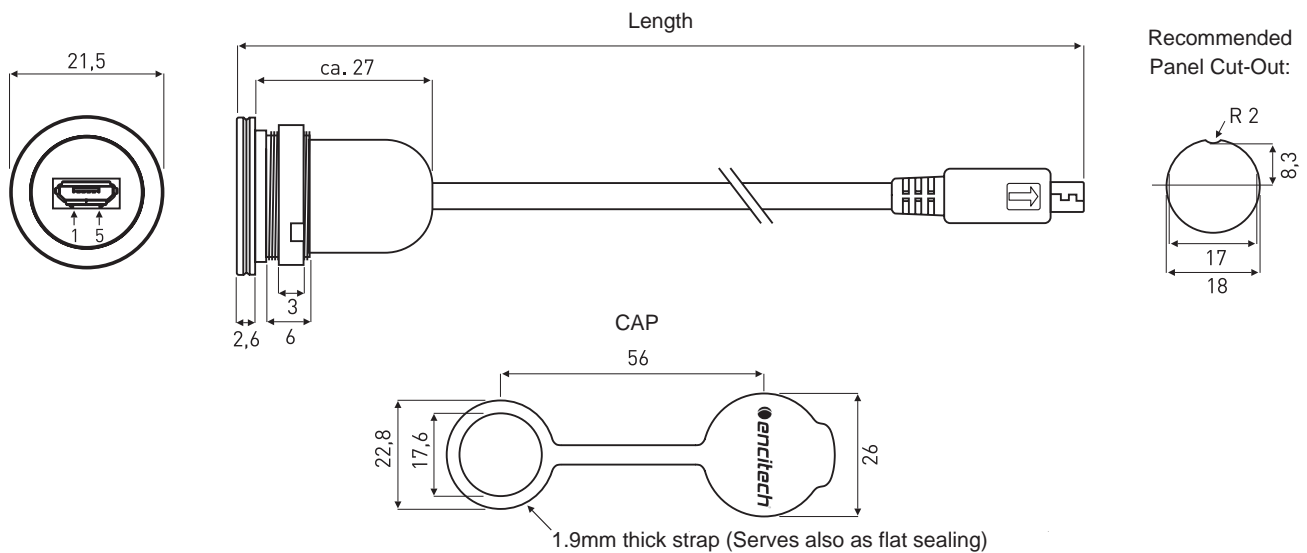
Protection: IP 64 / IP67  
(Assembled with CAP)

Contacts: 5

Housing material: Plastic, Black (PA)

Contact plating: Gold-plated

Kit: Including CAP + Circular nut



#### Micro USB 2.0 - Type B Panel Connector with Cable

Cable length:	Part No:
0.5m	1310-1013-01
1.0m	1310-1013-02
1.5m	1310-1013-03
2.0m	1310-1013-04
3.0m	1310-1013-05

Accessories:	Part No:
Mounting Tool for Ring nut	1310-0099-01



Encitech AB  
Rörkullsvägen 4  
SE-302 41 HALMSTAD, Sweden

Tel.: +46-(0)35-15 13 90  
Fax: +46-(0)35-15 13 99

[www.encitech.com](http://www.encitech.com)