

Waterproof USB Connectors

Mini USB 2.0-Cable

End 1: M22 panel connector with

Mini USB 2.0 Type AB

End 2: Plug, Mini USB 2.0 Type B

Protection: IP 64 / IP 67

(Assembled with CAP)

Contacts: 5

Housing: Plastic, Black (PA)

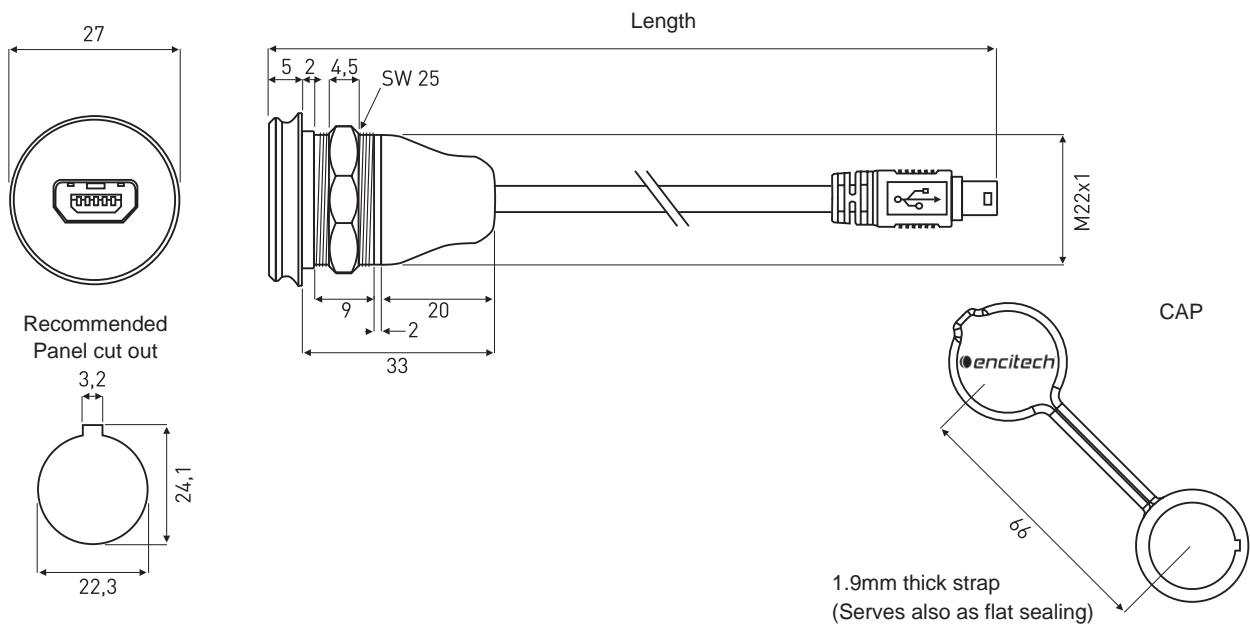
Cap: Elastolan®

Plastic nut: Plastic, Black (PA)

Contact plating: Gold

Connection: Solder

Kit: Including CAP + nut



Mini USB 2.0 - Cable

Cable length:	Part No:
0.5m	1310-1021-01
1.0m	1310-1021-02
1.5m	1310-1021-03
2.0m	1310-1021-04
3.0m	1310-1021-05



Encitech AB
Rörkullsvägen 4
SE-302 41 HALMSTAD, Sweden

Tel.: +46-(0)35-15 13 90
Fax: +46-(0)35-15 13 99

www.encitech.com