

Waterproof USB Connectors

Micro USB 2.0-Cable

End 1: M30 panel conn. Micro USB 2.0 Type B

End 2: Plug, Micro USB 2.0 Type B



Protection: IP 64 / IP 67

(Assembled with CAP)

Contacts: 5

Housing: Plastic, Black (PA)

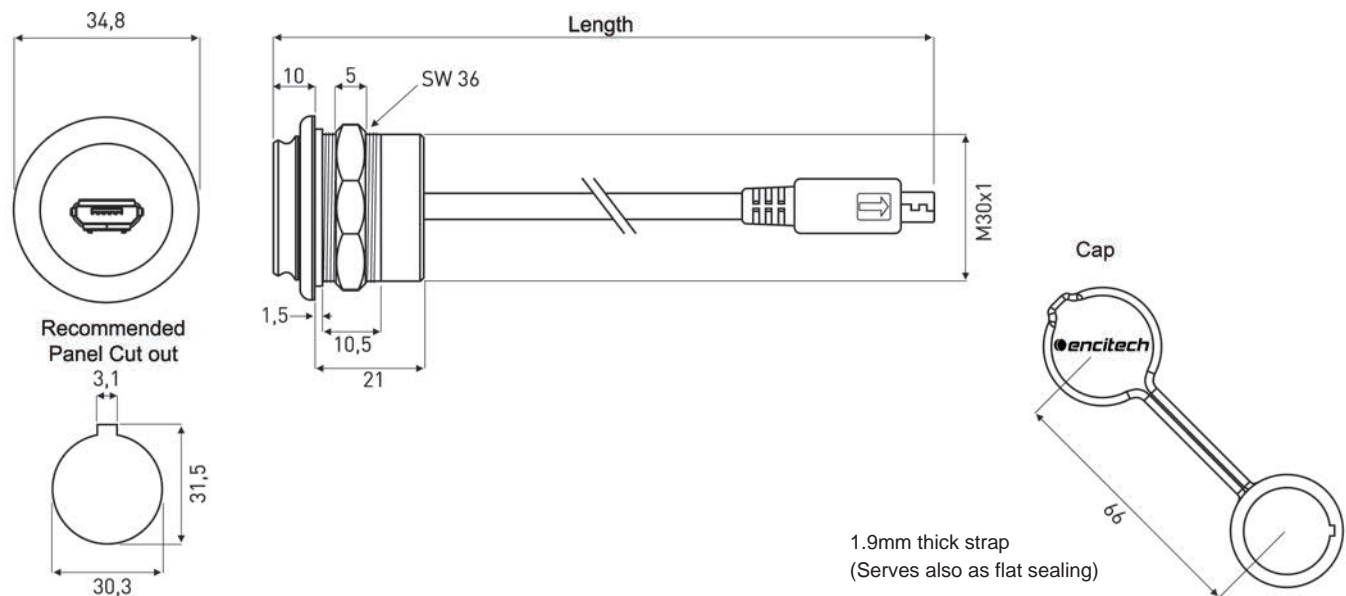
Cap: Elastolan®

Plastic nut: Plastic, Black (PA)

Contact plating: Gold

Connection: Solder

Kit: Including CAP + nut



M30 Micro USB 2.0 with Cable

Cable length:	Part No:
0.5m	1310-1027-01
1.0m	1310-1027-02
1.5m	1310-1027-03
2.0m	1310-1027-04
3.0m	1310-1027-05



Encitech AB
Rörkullsvägen 4
SE-302 41 HALMSTAD, Sweden

Tel.: +46-(0)35-15 13 90
Fax: +46-(0)35-15 13 99

www.encitech.com