

Waterproof USB Connectors

M22-Panel mount Connector

Front mounting Adapter USB Type A

Suitable for Nano-Stick

Protection: IP 64 / IP 67
(Assembled with CAP)

Contacts: 4 + 1 Shield

Housing: Plastic, Black (PA)

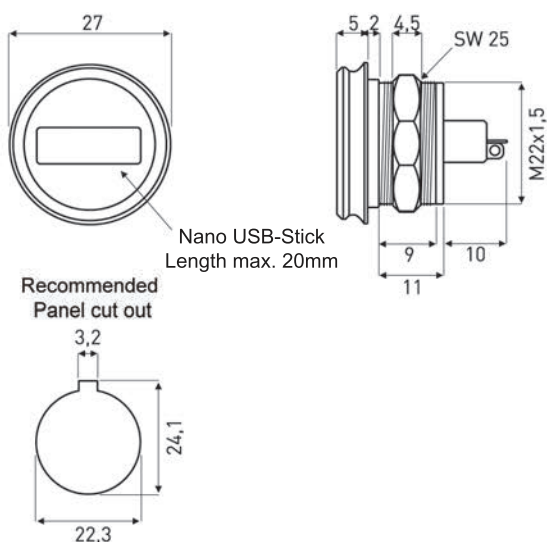
Cap: Elastolan®

Plastic nut: Plastic, Black (PA)

Contact plating: Gold

Kit: Including CAP + Circular nut (M22)

(Nano-Stick not included)

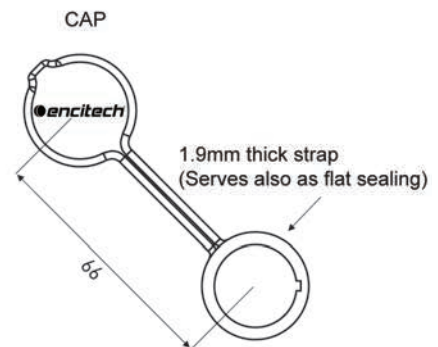


Solder Pin Layout



Pin out USB-A

- 1 - +5 V
- 2 - D-
- 3 - D+
- 4 - GND
- S - Shield



M22 Panel mount USB-A 2.0 Adapter for Nano-Stick

Connector:	Part No:
Panel Conn, Black	1310-1031-01



Encitech AB
Rörkullsvägen 4
SE-302 41 HALMSTAD, Sweden

Tel.: +46-(0)35-15 13 90
Fax: +46-(0)35-15 13 99

www.encitech.com