

## Waterproof USB Connectors

### M22-Panel mount Connector

End 1: Front mounting Adapter USB Type A

Suitable for Nano-Stick

End 2: Cable with USB-A 2.0 Plug

Protection: IP 64 / IP 67  
(Assembled with CAP)

Contacts: 4 + 1 Shield

Housing: Plastic, Black (PA)

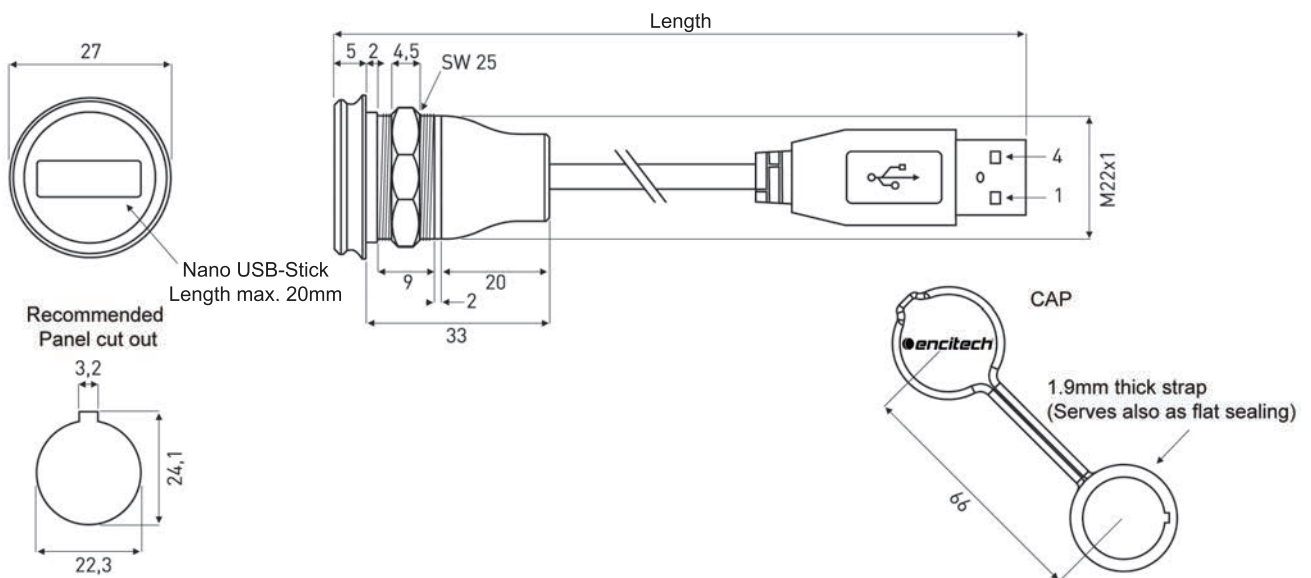
Cap: Elastolan®

Plastic nut: Plastic, Black (PA)

Contact plating: Gold

Kit: Including CAP + Circular nut (M22)

(Nano-Stick not included)



### M22 Panel mount USB-A 2.0 Adapter for Nano-Stick with cable

Cable length:	Part No:
0.5m	1310-1032-01
1.0m	1310-1032-02
1.5m	1310-1032-03
2.0m	1310-1032-04
3.0m	1310-1032-05



Encitech AB  
Rörkullsvägen 4  
SE-302 41 HALMSTAD, Sweden

Tel.: +46-(0)35-15 13 90  
Fax: +46-(0)35-15 13 99

[www.encitech.com](http://www.encitech.com)