

Waterproof USB Connectors

M30-Panel mount Connector Front mounting HDMI Adapter

Protection: IP 64 / IP 67
(Assembled with CAP)

Contacts: 19

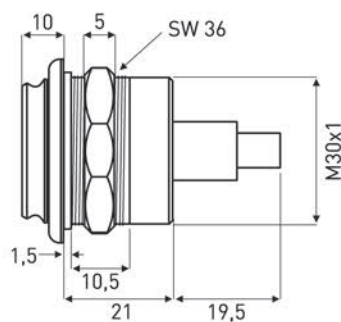
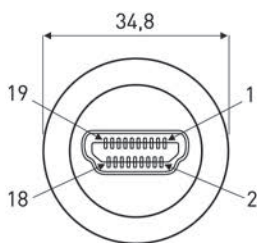
Housing: Plastic, Black (PA)

Cap: Elastolan®

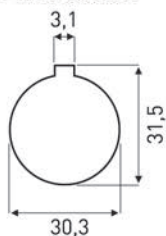
Plastic nut: Plastic, Black (PA)

Contact plating: Gold

Kit: Including CAP + nut

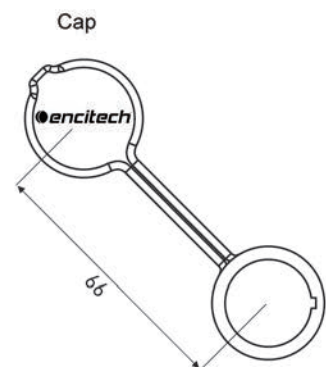


Recommended
Panel Cut out



Pin Assignment

3	[TMDS Data 2-]	3	[TMDS Data 2-]
1	[TMDS Data 2+]	1	[TMDS Data 2+]
2	[TMDS Data 2 Shield]	2	[TMDS Data 2 Shield]
6	[TMDS Data 1-]	6	[TMDS Data 1-]
4	[TMDS Data 1+]	4	[TMDS Data 1+]
5	[TMDS Data 1 Shield]	5	[TMDS Data 1 Shield]
9	[TMDS Data 0-]	9	[TMDS Data 0-]
7	[TMDS Data 0+]	7	[TMDS Data 0+]
8	[TMDS Data 0 Shield]	8	[TMDS Data 0 Shield]
12	[TMDS Clock -]	12	[TMDS Clock -]
10	[TMDS Clock +]	10	[TMDS Clock +]
11	[TMDS Clock Shield]	11	[TMDS Clock Shield]
18	[+5V Power]	18	[+5V Power]
17	[Ground]	17	[Ground]
15	[DCC Clock]	15	[DCC Clock]
16	[DCC Data]	16	[DCC Data]
19	[Hot Plug Detect]	19	[Hot Plug Detect]
13	[CEC]	13	[CEC]
14	[NO FUNCTION]	14	[NO FUNCTION]
SHELL	[SHELL]	SHELL	[SHELL]



1.9mm thick strap
(Serves also as flat sealing)

M30 HDMI Adapter

Connector:

Part No:

Panel Conn, Black

1310-1033-02



Encitech AB
Rörkullsvägen 4
SE-302 41 HALMSTAD, Sweden

Tel.: +46-(0)35-15 13 90
Fax: +46-(0)35-15 13 99

www.encitech.com