

## Waterproof USB Connectors

### M30-Panel mount Coupler Front mounting USB 3.0 Type A to USB 3.0 Type A

Protection: IP 64 / IP 67  
(Assembled with CAP)

Contacts: 9

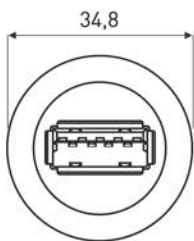
Housing: Plastic, Black (PA)

Cap: Elastolan®

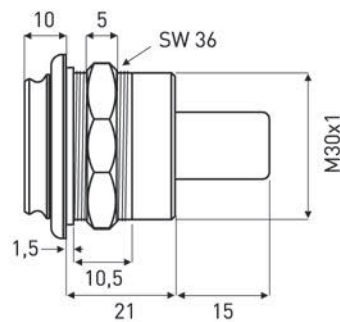
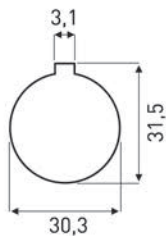
Plastic nut: Plastic, Black (PA)

Contact plating: Gold

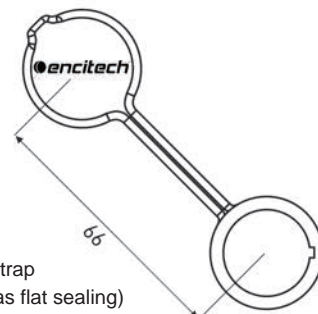
Kit: Including CAP + nut



Recommended  
Panel Cut out



Cap



### M30 Panel mount Adapter Type A

Connector:	Part No:
Panel Conn, Black	1310-1034-01



**Encitech AB**  
Rörkullsvägen 4  
SE-302 41 HALMSTAD, Sweden

Tel.: +46-(0)35-15 13 90  
Fax: +46-(0)35-15 13 99

[www.encitech.com](http://www.encitech.com)