

## Waterproof USB Connectors

USB 3.0 cable

End 1: 2x M30 Panel Connector USB-A 3.0

End 2: 2x Cable, USB-A 3.0 Plug

Protection: IP 64 / IP 67

(Assembled with CAP)

Contacts: 9

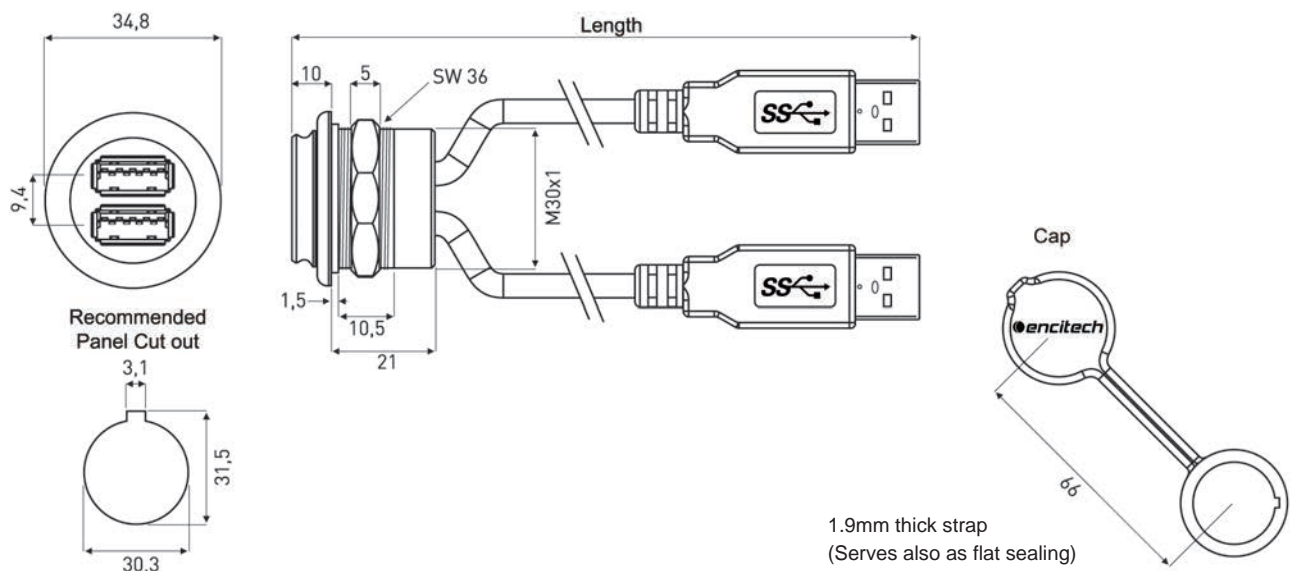
Housing: Plastic, Black (PA)

Cap: Elastolan®

Plastic nut: Plastic, Black (PA)

Contact plating: Gold

Kit: Including CAP + nut



### M30 USB-A 3.0 - 2x Panel Connector with 2x Cable

Cable length:	Part No:
0.5m	1310-1036-01
1.0m	1310-1036-02
1.5m	1310-1036-03
2.0m	1310-1036-04
3.0m	1310-1036-05



Encitech AB  
Rörkullsvägen 4  
SE-302 41 HALMSTAD, Sweden

Tel.: +46-(0)35-15 13 90  
Fax: +46-(0)35-15 13 99

[www.encitech.com](http://www.encitech.com)