

Datasheet

Item no. 1661351

V1_03212018_01_en

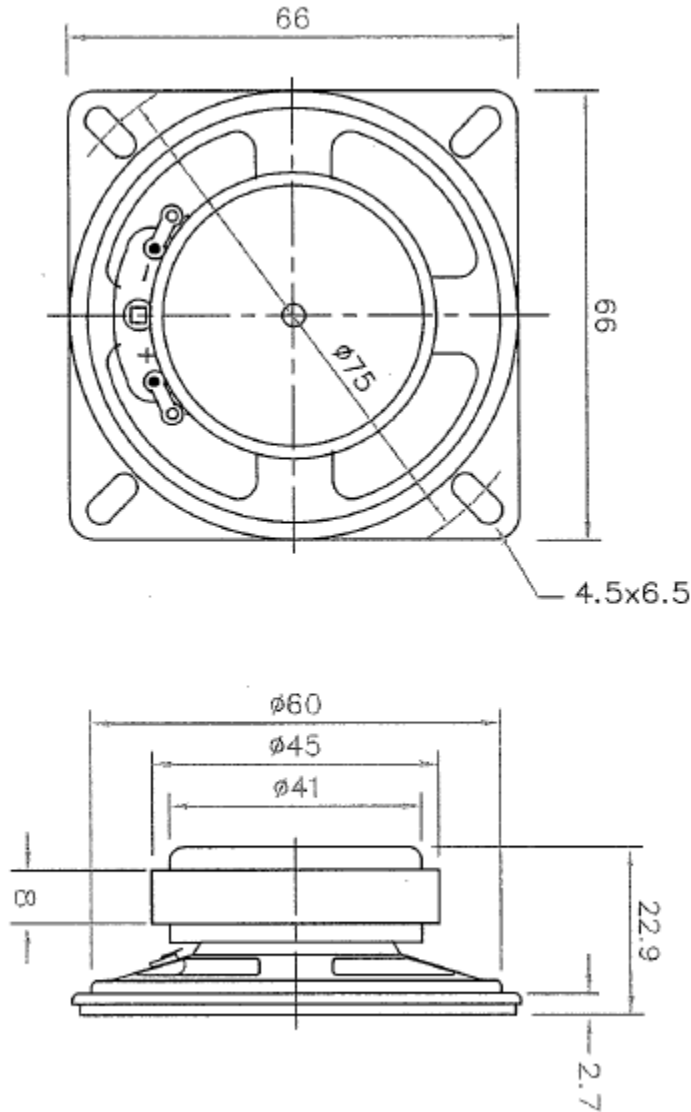
66 mm Ferrite Mylar Speaker, 8 Ω, 1 W

Test Items	Rated Requirements	Test Conditions
1. Shape	Round	
2. Type	Ferrite mylar speaker	Metal frame
3. Impedance	8 Ω ± 15%	at 1.0KHz 1.0 V
4. Resonance Freq.	500 ± 100 Hz	Without Baffle.
5. S. P. L.	85 ± 3 dB at 0.8, 1.0, 1.2, 1.5 KHz	1.0W/ 0.5M distance
6. Frequency Resp.	450 - 6K Hz	Fo to Output S. P. L. - 10 dB
7. T. H. Distortion	Max. 5% at 1.0KHz 1.0 W	
8. Rated Power	5 W	
9. Max. Power	8 W	
10. Operation	Be Normal (Music Source)	Program/ Source 5 W
11. Buzzes & Rattles	Be Normal	SIN Wave 6.32 V
12. Life Test	After Tested; Meet Item 4. & 5.	White Noise 5 W 24 hours
13. Heat Test	After Tested; Meet Item 4. & 5.	+60 ± 2 °C 20/50% R.H. 96 Hours
14. Cold Test	After Tested; Meet Item 4. & 5.	-25 ± 2 °C 20/50% R.H. 96 Hours
15. Humidity Test	After Tested; Meet Item 4. & 5.	+40 ± 2 °C 90/95% R.H. 96 Hours
16. Magnet	45 x 22 x 8 mm	
17. Net Weight	124 g	
18. Baffle Opening	φ 62 mm	

Datasheet

Item no. 1661351

V1_03212018_01_en



Tolerance: ± 0.5 mm