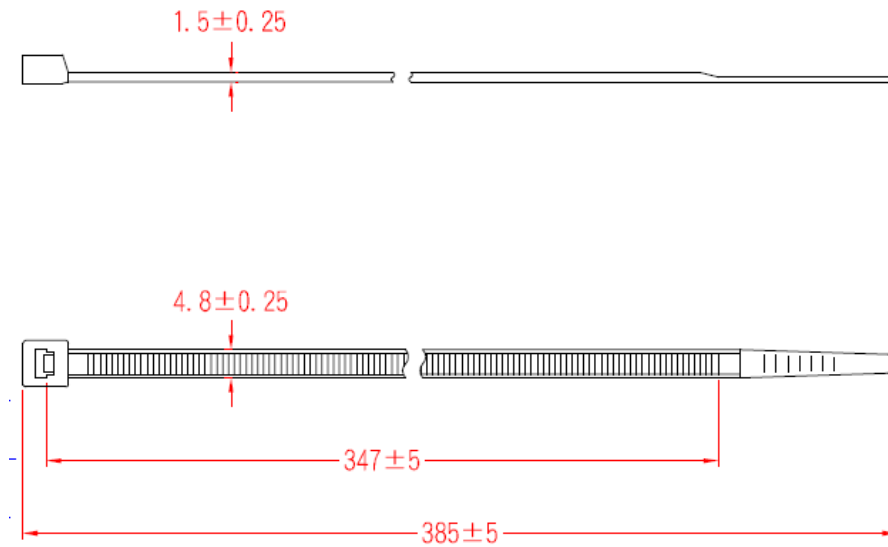


Datasheet

Item no. 1661442 – Red, 1661443 – Yellow, 1661444 – Blue

V1_03122018_01_en

Nylon cable tie, 385(L) x 4.8(W) mm



Material: Nylon 66 UL 94V-2

Tolerance: As Figure