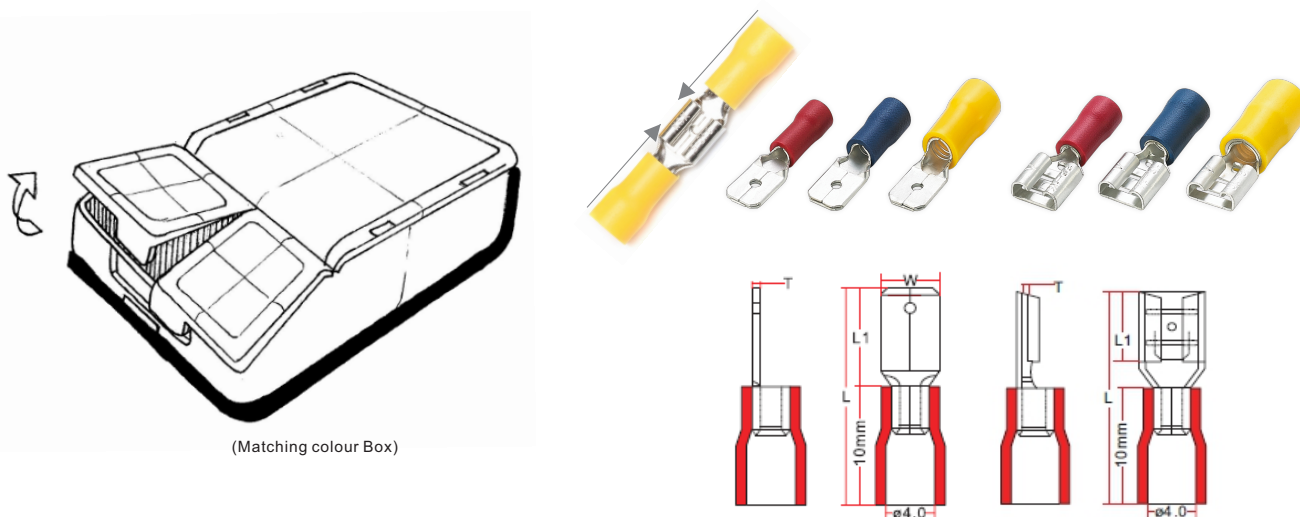


Male & Female Terminal Connectors Pairs Boxed Set



(Matching colour Box)

Best. Nr.	Part/No.	Wire range	TAB Size (mm)	T (mm)	W (mm)	L1 (mm)	L (mm)	QTY (Pairs)	Colour
1661652	517-2-2001-04	0.5~1.5mm ² 22~16AWG	2.8 x 0.8mm	0.8	2.8	6.5	20.5	70	Red
1661653	517-2-2002-04		4.8 x 0.8mm	0.8	4.8	6.5	20.5	70	
1661654	217-2-2003-04		6.4 x 0.8mm	0.8	6.4	7.7	21.0	70	
1661655	217-2-2004-05	1.5~2.5mm ² 16~14 AWG	2.8 x 0.8mm	0.8	2.8	6.5	18.6	70	Blue
1661656	217-2-2005-05		4.8 x 0.8mm	0.8	4.8	6.5	19.0	70	
1661657	217-2-2006-05		6.4 x 0.8mm	0.8	6.4	7.5	20.5	70	
1661658	217-2-2007-08	4~6mm ² 12~10AWG	4.8 x 0.8mm	0.8	4.8	6.5	22.0	50	Yellow
1661659	217-2-2008-08		6.4 x 0.8mm	0.8	6.4	7.5	23.5	50	

Operating Temperature : 75°C max.

Material

Terminal : Brass

Insulation : PVC

Plating : TIN

This is a publication by Conrad Electronic SE, Klaus-Conrad-Str. 1, D-92240 Hirschau (www.conrad.com).

All rights including translation reserved. Reproduction by any method, e.g. photocopy, microfilming, or the capture in electronic data processing systems require the prior written approval by the editor. Reprinting, also in part, is prohibited. This data represent the technical status at the time of printing. Changes in technology and equipment reserved.

© Copyright 2017 by Conrad Electronic SE.