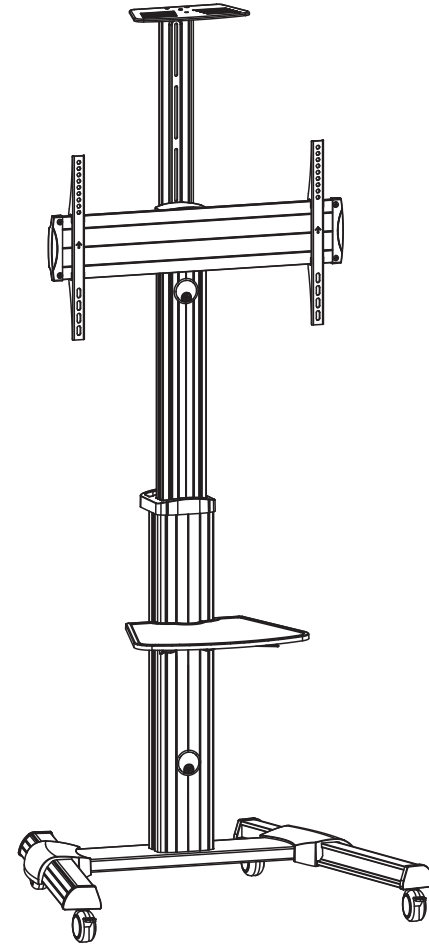
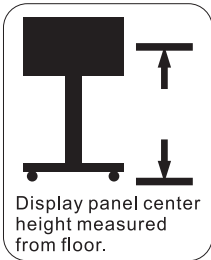
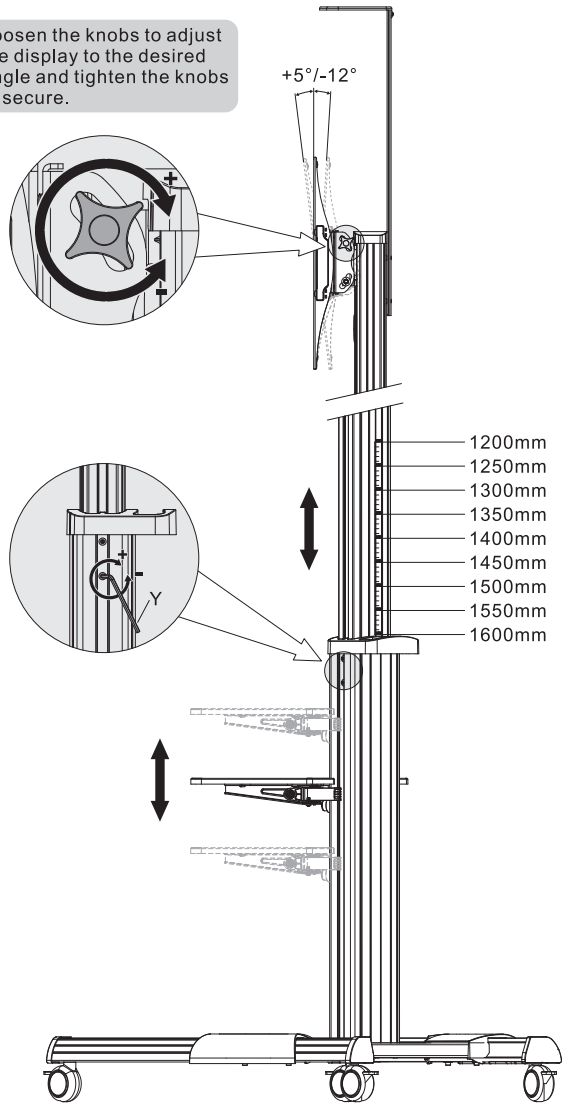




TV Floor Cart and Accessories

11. Adjustment

Loosen the knobs to adjust the display to the desired angle and tighten the knobs to secure.



Maintenance

- Check that the bracket is secure and safe to use at regular intervals(at least every three months).
- Please contact your distributor if you have any questions.

TTV04-44TW	 200x200 300x300 400x200 400x400	 55" MAX	50kg (110lbs) RATED 5kg (11lbs) RATED 5kg (11lbs) RATED
TTV04-46TW	 200x200 300x300 400x200 400x400 600x400	 70" MAX	50kg (110lbs) RATED 5kg (11lbs) RATED 5kg (11lbs) RATED

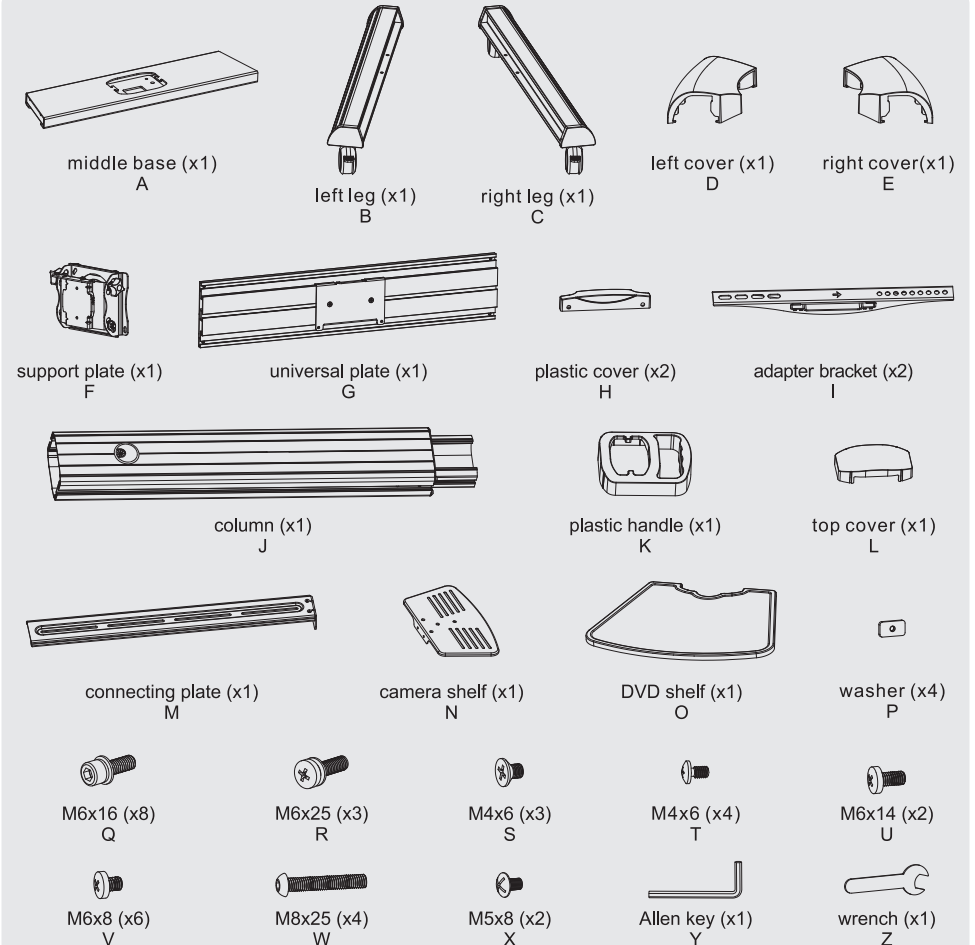
NOTE: Read the entire instruction manual before you start installation and assembly.

WARNING

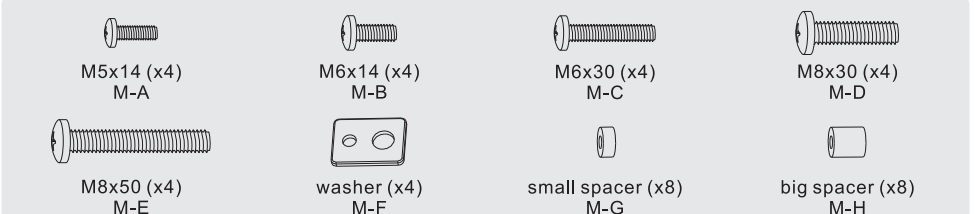
- Do not begin the installation until you have read and understood all the instructions and warnings contained in this installation sheet. If you have any questions regarding any of the instructions or warnings, please contact your local distributor.
- This mounting bracket was designed to be installed and utilised ONLY as specified in this manual. Improper installation of this product may cause damage or serious injury.
- Always use an assistant or mechanical lifting equipment to safely lift and position the equipment.
- Tighten screws firmly, but do not over tighten. Over tightening can cause damage to the items, This greatly reduces their holding power.
- This product is intended for indoor use only. Using this product outdoors could lead to product failure and personal injury.

IMPORTANT: Ensure that you have received all parts according to the component checklist prior to installation. If any parts are missing or faulty, telephone your local distributor for a replacement.

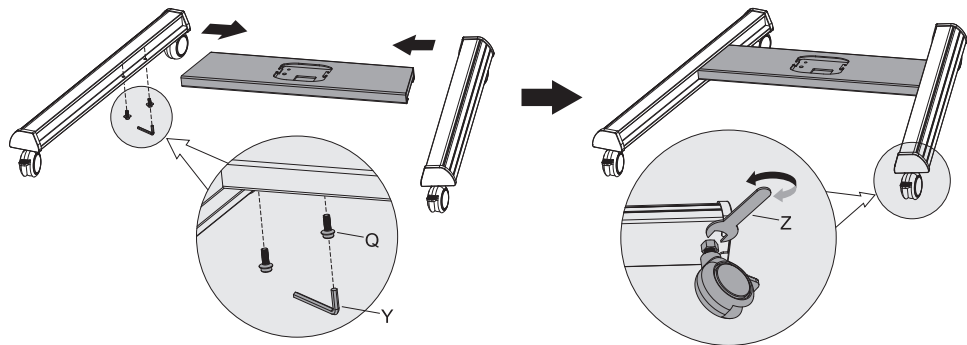
TTV04-44TW/46TW



Package M



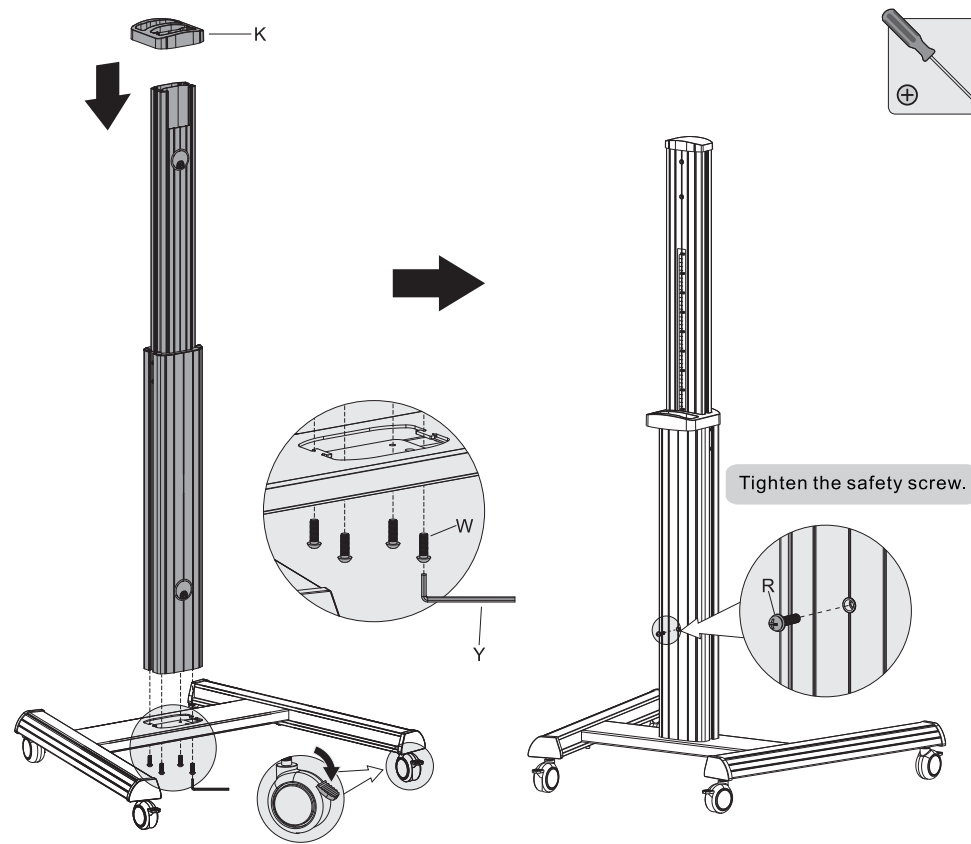
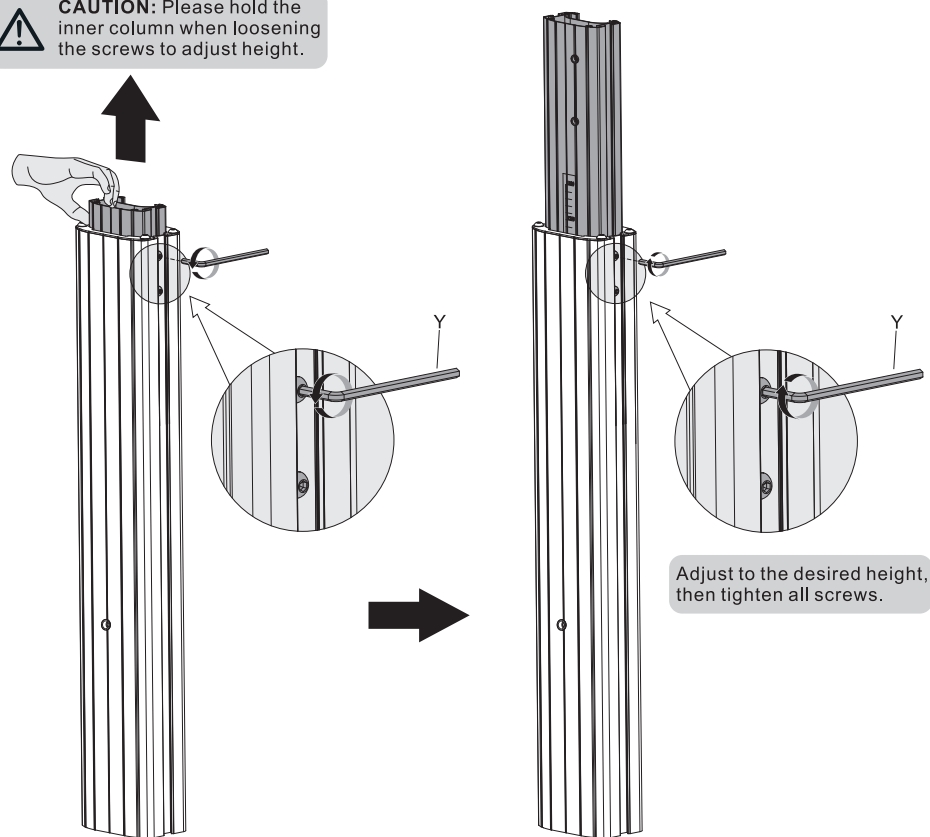
1. Assembling the Base



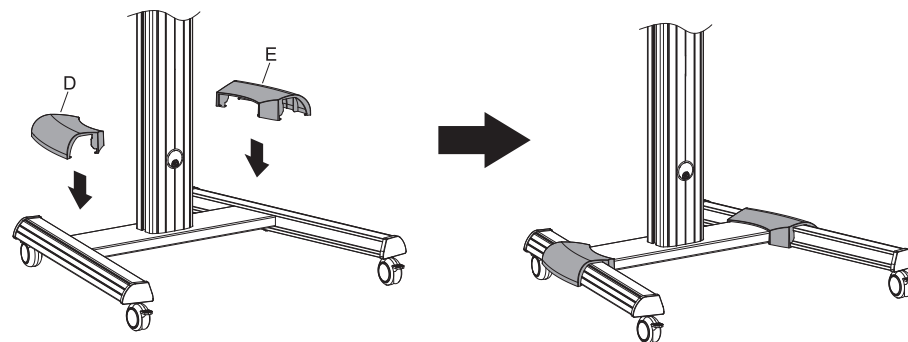
- Insert the right leg into the base. Align the holes in the right leg to the holes in the base. Secure with the screws. Repeat this step for the left leg.
- Each caster can be adjusted independently for fine tuning. Slightly turn the nut to lower or raise the base.

2. Attaching the Column to the Base

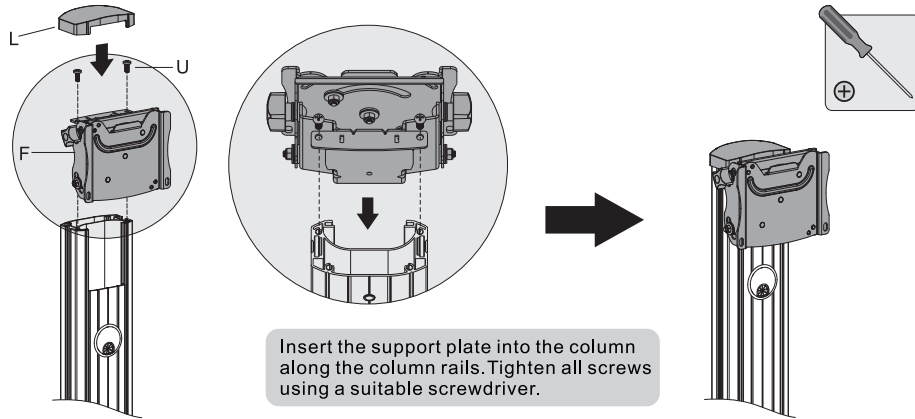
CAUTION: Please hold the inner column when loosening the screws to adjust height.



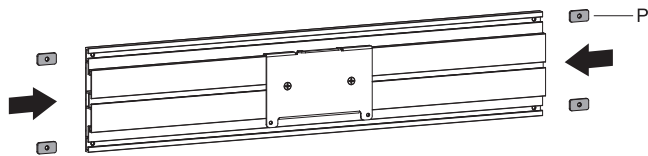
Attach the column to the base using the screws. Tighten all screws using an Allen key.



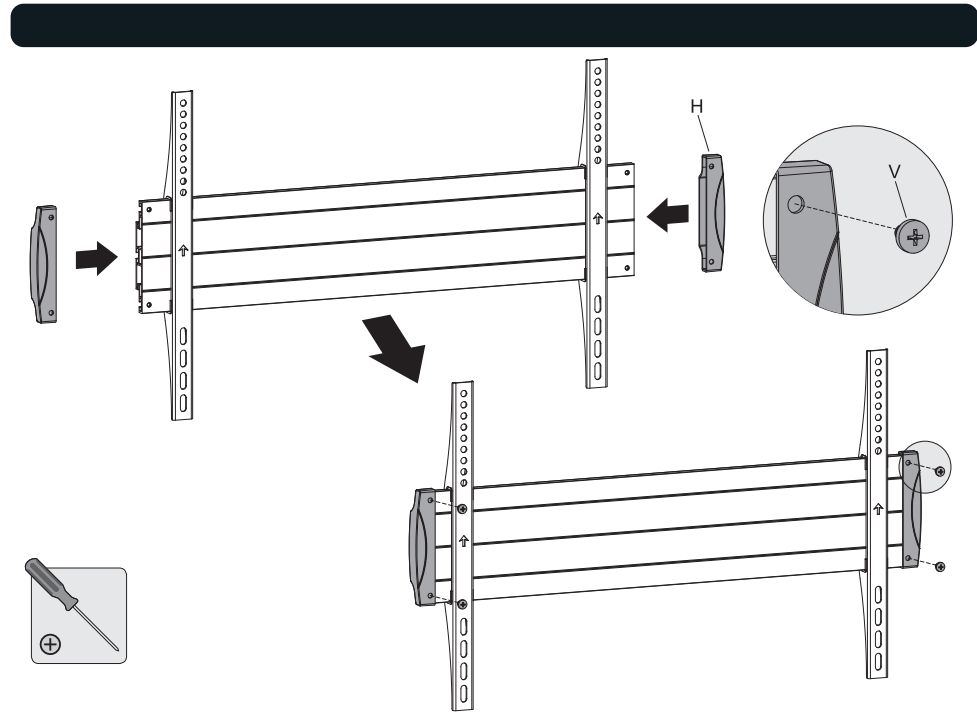
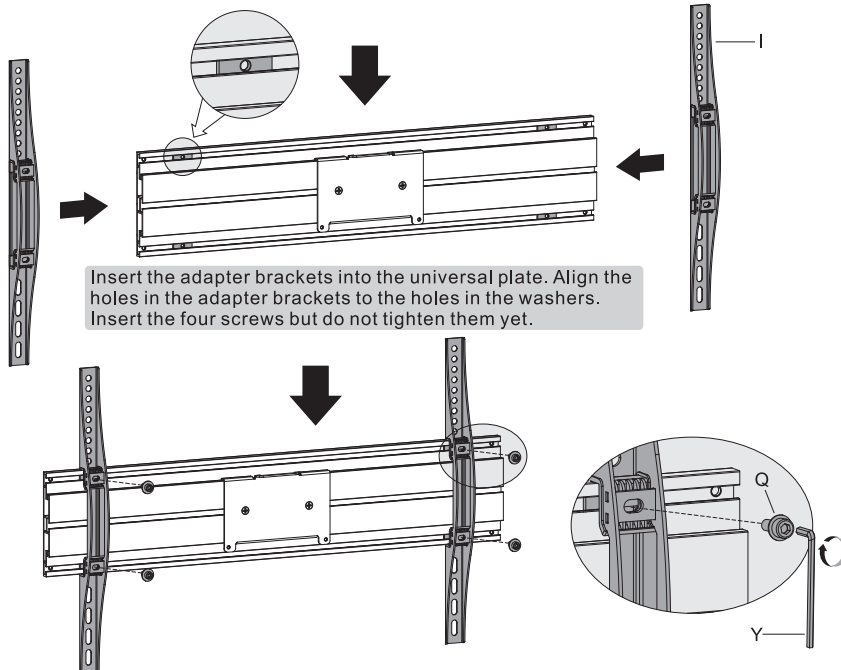
3. Installing the Support Plate



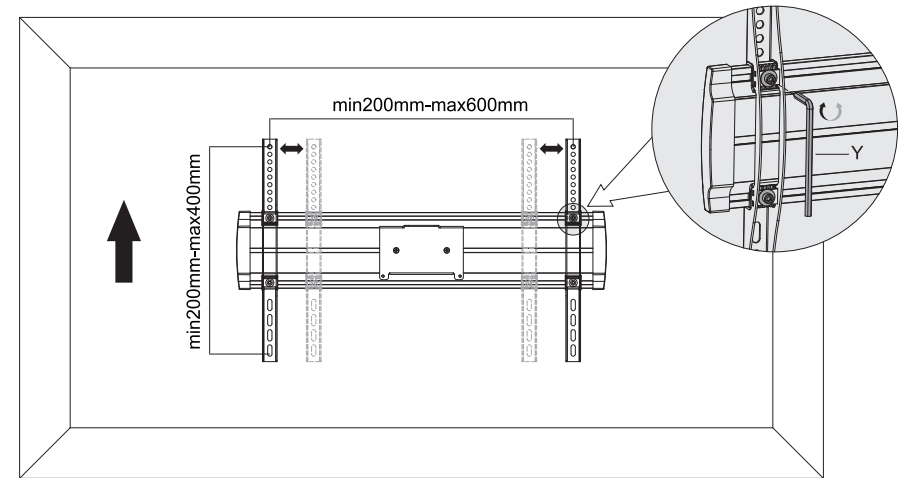
4. Installing the Adapter Brackets



Insert the washers into the back of universal plate along the plate rails.

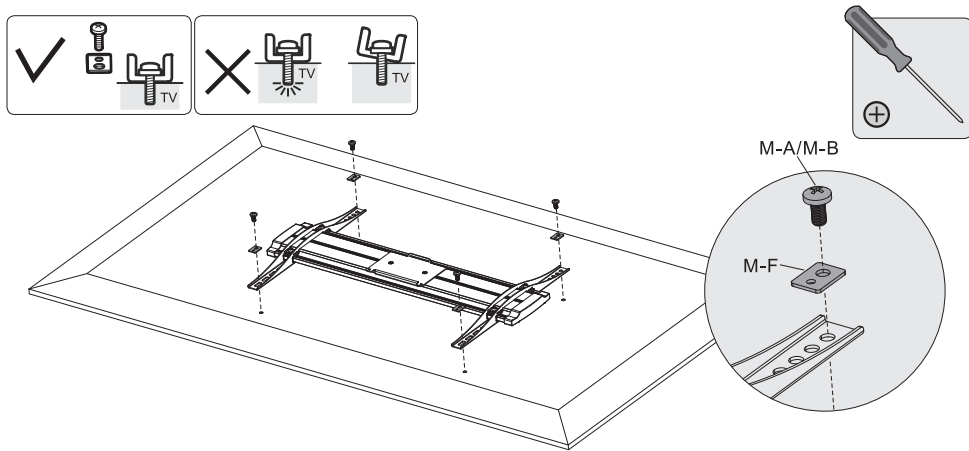


Attach the two plastic covers to both ends of the plate using the appropriate screws. Tighten all screw using a suitable screwdriver.

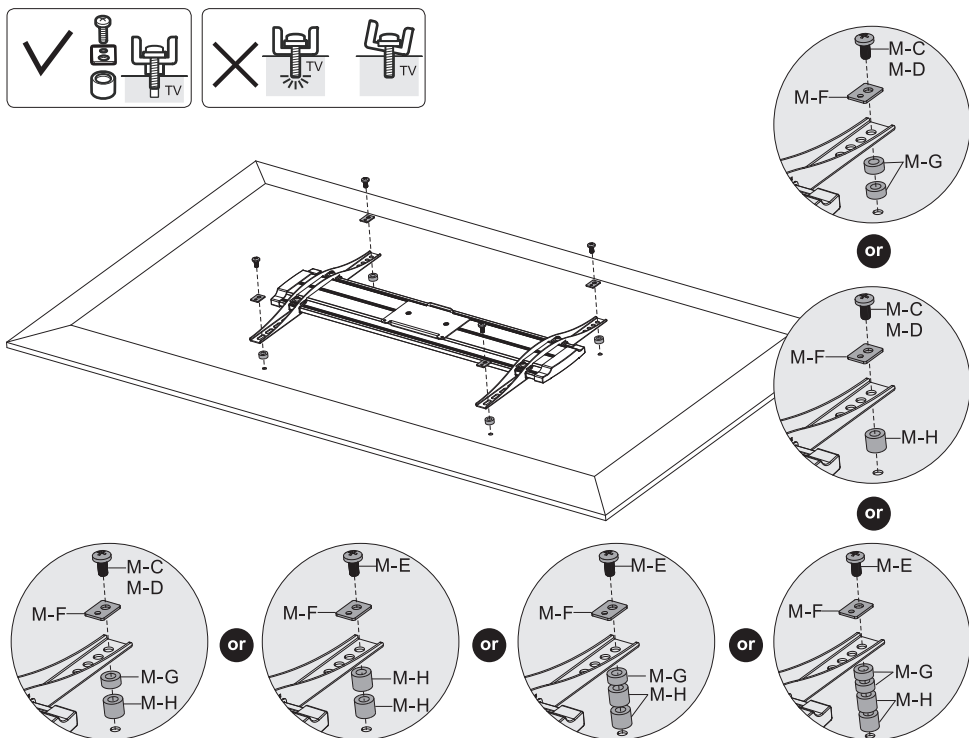


Adjust the adapter brackets to fit the hole pattern of your display. Then tighten all screws with an Allen key. **NOTE:** Verify the proper alignment of all holes.

4-1 For Flat Back Screens



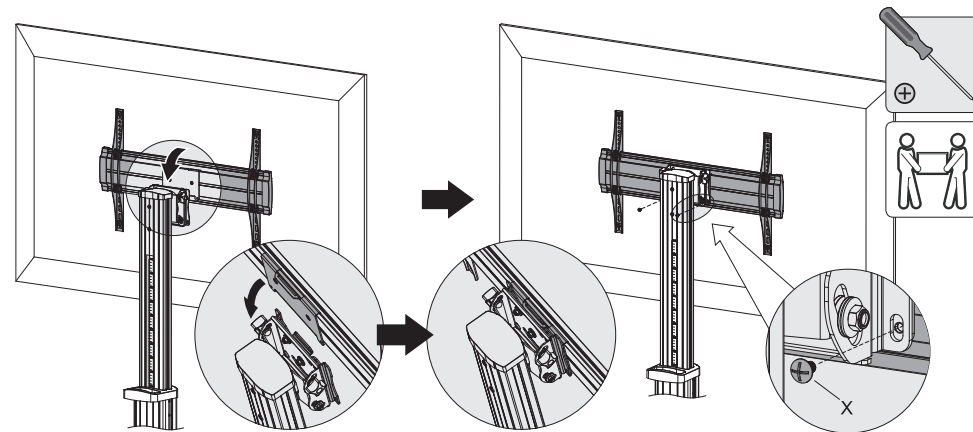
4-2 For Recessed Back Screens or to Access A/V Inputs



Note: Choose the appropriate screws, washers and spacers (if necessary) according to the type of screen.
 • Screw the adapter brackets onto the display.

⚠ Tighten all screws but do not over tighten.

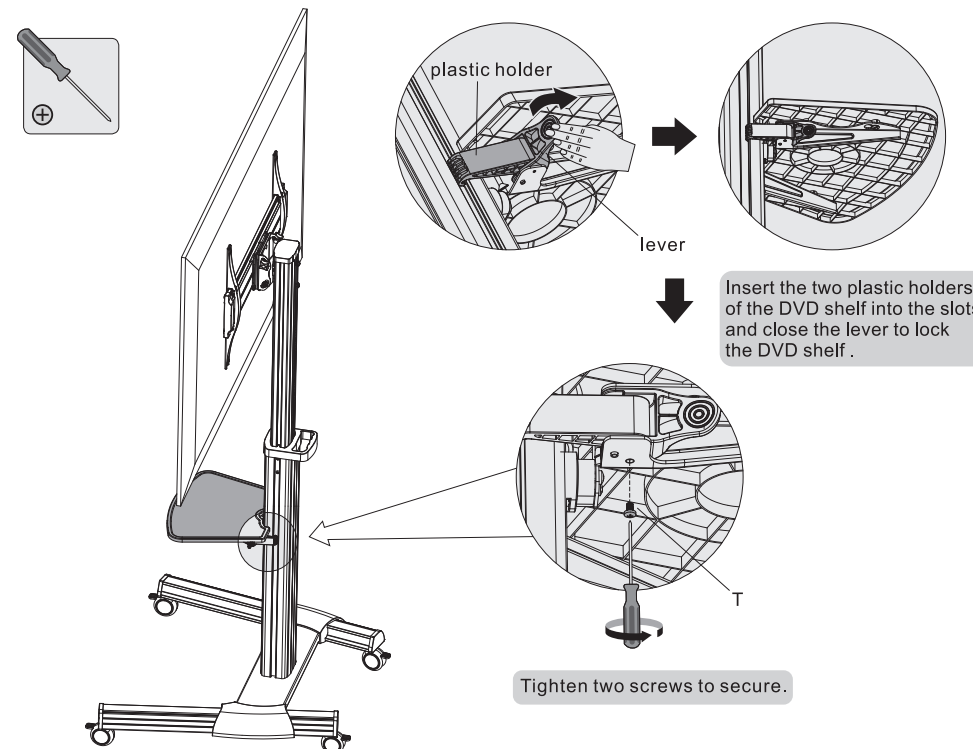
5. Hooking the Display onto the Support Plate



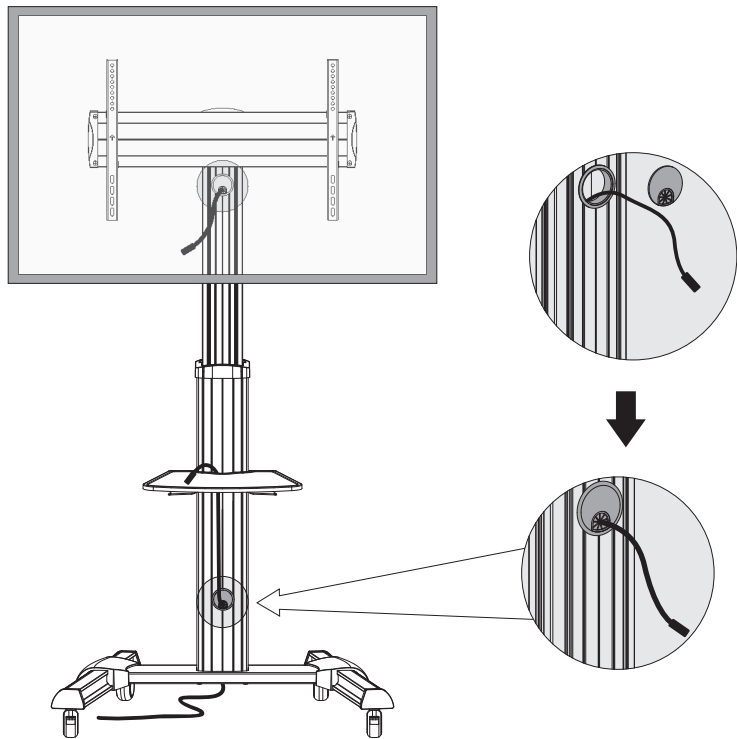
- Hook the universal plate onto the support plate.
- Tighten two screws to secure them.

IMPORTANT: Make sure the display is mounted correctly, and that the screws are tightened safely before releasing the display.

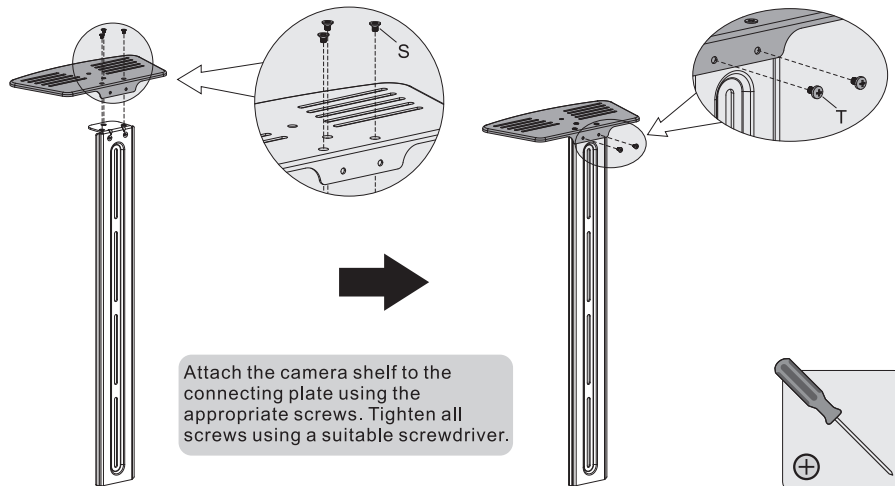
6. Installing the DVD Shelf



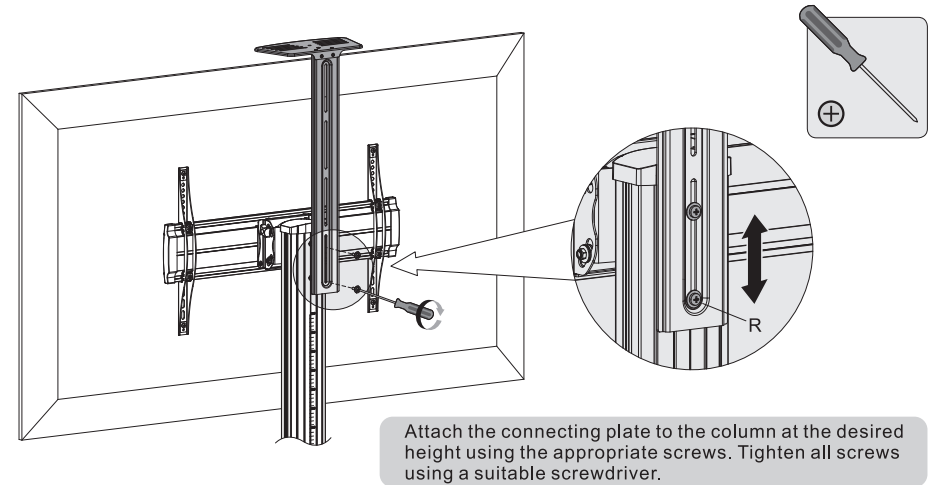
7. Cable Management



8. Installing the Camera Shelf



9. Installing the Connecting Plate



10. Display Orientation

