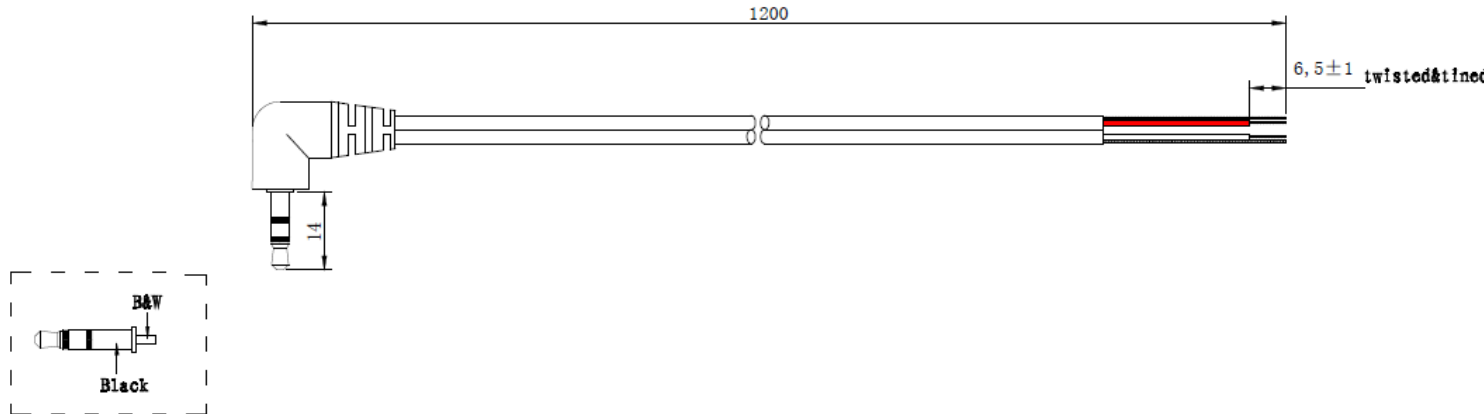


Data Sheet

3.5 mm right angle stereo plug with 1.2m cable

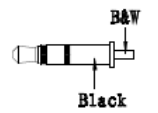


1200

6,5±1 twisted&tined

14

B&W



Black

Soldering Chart
(B&W: Black with White Stripe core)


1. Electrical requirements:

1. The rate of conductivity is 100% ;
No short or open circuit is allowed, no circuit missplacement is allowed.
2. Conductor Resistance <math>< 1\Omega</math>
3. DC: 300V
Insulation Resistance >math>> 20M\Omega</math>

- Grind the soldering point of the Copper head

Package:

1. 1PCS/PE bag
2. Each carton will have been packed with 500PCS products, the actual quantity of products in every carton will be based on the delivery.

No Tolerance Marked		Jack connection cable Jack plug 3.5mm-cable			
.X.	APPROVED	CHECKED	DRAWN	FC P/N:	UNIT mm
.X.			Fanrong Yan	PC S/N:	PAGE 1/1
.XX				CEI F/N:93038C443	

A/3	2017.03.02	ECN170302002	PE Bag size changing
VERSION	DATE	DESCRIPTION	MODIFYING DETAILS