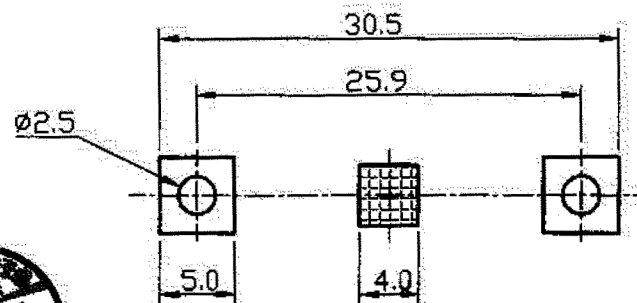
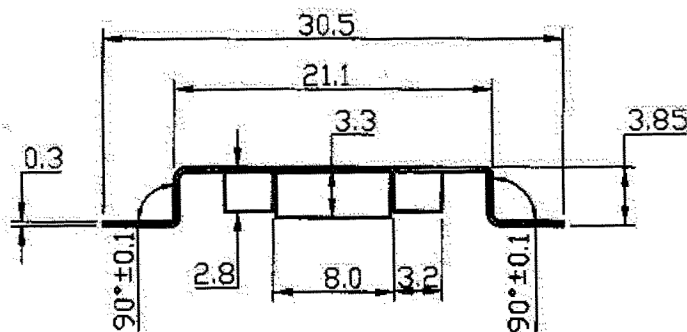
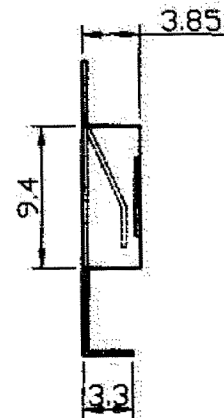
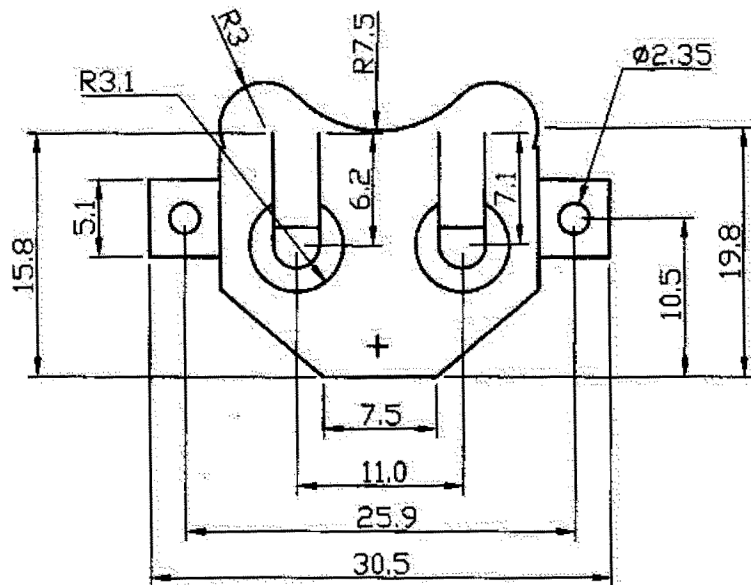


Order code	Manufacturer code	Description
18-3780	n/a	20MM STM COIN CELL RETAINER CONTACT (RC)

	Page 1 of 2
The enclosed information is believed to be correct, Information may change without notice due to product improvement. Users should ensure that the product is suitable for their use. E. & O. E.	Revision A 20/02/2007



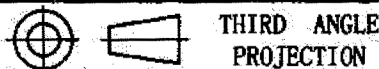
PCB Mounting layout



SPECIFICATION

- (1) ITEM NO: BC-2001
- (2) MATERIAL: 0.3mm PHOSPHORUS BRONZE, NICKEL PLATE
- (3) ALL TOLERANCE IN $\pm 0.05\text{MM}$ UNLESS OTHERWISE SPECIFIED
- (4) ROHS COMPLIANT

4			COMF COMFORTABLE ELECTRONIC CO., LTD.		
3			NAME BATTERY CLIP: BC-2001		
2			SCALE	2:1	APPD 張艳丽 12/8
1			UNIT	MM	CHKD 黃子強 12/8
NO. MODIFICATION		DATE	MAT' L	PB	DWN LUOHANBIN
			DATE	NOV. 2. 2006	DR NO 2001-1004



THIRD ANGLE PROJECTION