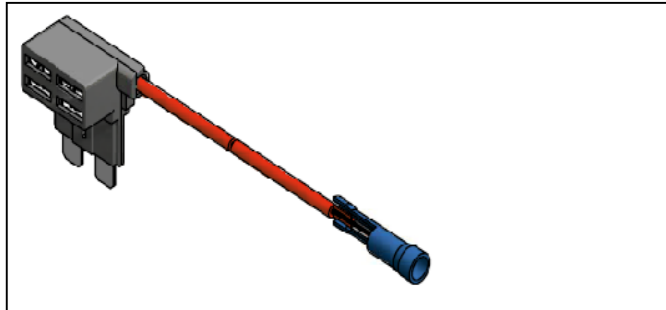
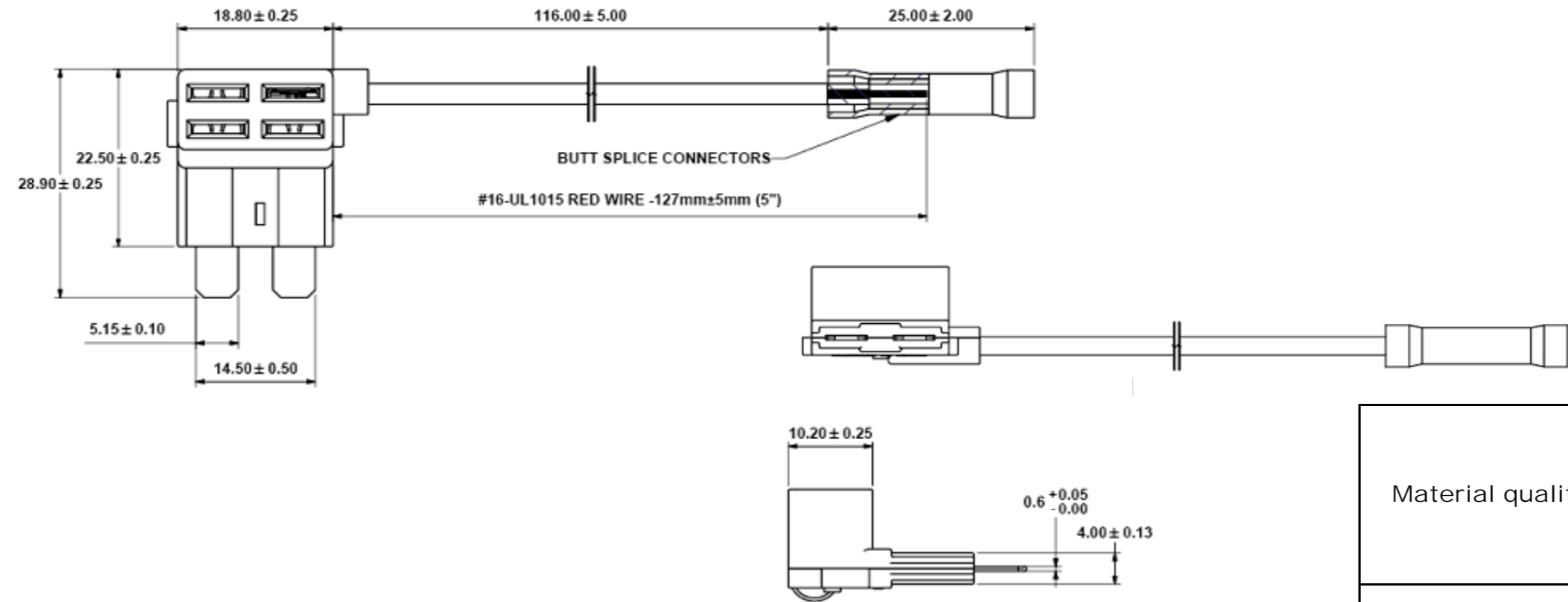


Product Figure



Product specification chart



Scale : mm
Scale : mm

SPECIFICATION:

- ※ This In-Line Fuse Holder designed for turn one slot into two.
- ※ Max. Installation rating up to 15 Amps.
- ※ Butt Splice connectors pull-out force min. 15kg.
- ※ Cable Wire: #16-UL1015 Red Wire -127 mm ± 5mm (5")
- ※ Applicable Fuse: (ATO/ATP/ATC)
- ※ Product meet RoHS
- ※ Product not UL Listed

Material quality	PA-66 Nylon
Unit	mm
Error	± 0.2

Product name	Part number	Formulation date	Edition		
In-Line ATO/ATP /ATC FUSE HOLDER-Battery LINK EXTENSION	C001-028-0021(REVISED 1)	2010.11.19	A		