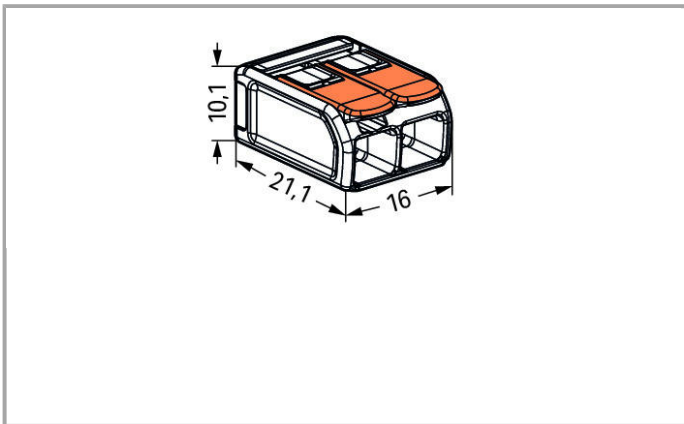


Data sheet | Item number: 221-612

COMPACT Splicing Connectors; 2-conductor connector; with operating levers; Max.ambient operating temp. 85 °C



[www.wago.com/221-612](http://www.wago.com/221-612)





## Data

### Electrical data

#### Ratings per IEC/EN 60664-1

Rated voltage (II / 2)	450 V
Rated impulse voltage (II / 2)	4 kV
Rated current	41 A
Legend (ratings)	(II / 2) $\hat{=}$ Overvoltage category II / Pollution degree 2

### Connection data

Connection technology	CAGE CLAMP®
Actuation type	Lever
Connectable conductor materials	Copper
Nominal cross section	6 mm <sup>2</sup>
Solid conductor	0.5 ... 6 mm <sup>2</sup> / 20 ... 10 AWG
Stranded conductor	0.5 ... 6 mm <sup>2</sup> / 20 ... 10 AWG
Fine-stranded conductor	0.5 ... 6 mm <sup>2</sup> / 20 ... 10 AWG
Strip length	12 ... 14 mm / 0.47 ... 0.55 Inch
Total number of connection points	2
Total number of potentials	1
Type of wiring	Side-entry wiring

## Geometrical Data

Width	16 mm / 0.63 inch
Height	10.1 mm / 0.398 inch
Depth	21.1 mm / 0.831 inch

## Material Data

Color	transparent
Flammability class per UL94	V2
Weight	2.55 g

## Environmental Requirements


Surrounding air (operating) temperature	85 °C
T-Marking per EN 60998	T85

## Commercial data



Packaging type	BOX
Country of origin	DE
GTIN	4055143704168
Customs Tariff No.	85369010000

## Approvals / Certificates

### Country specific Approvals

Logo	Approval	Certificate name
	KEMA/KEUR DEKRA Certification B.V.	71-101850

### Ship Approvals

Logo	Approval	Certificate name
	DNV GL Det Norske Veritas, Germanischer Lloyd	TAE000015T
	LR Lloyds Register	04/20013 (E6)

### UL-Approvals

Logo	Approval	Certificate name
	UL	E201573



Underwriters Laboratories Inc.

## Compatible products

### Mounting adapter



Item no.: 221-510

Mounting carrier; 221 Series - 6 mm<sup>2</sup>; for DIN-35 rail mounting/screw mounting

[www.wago.com/221-510](http://www.wago.com/221-510)



Item no.: 222-505

Strain relief plate; for mounting carrier; 221 or 222 Series, can be snapped

[www.wago.com/222-505](http://www.wago.com/222-505)

## Downloads

### smartDATA

### CAD data

3D Download 221-612

URL

Download

Subject to changes.

WAGO Kontakttechnik GmbH & Co. KG  
Hansastr. 27  
32423 Minden  
Phone: +49571 887-0 | Fax: +49571 887-169  
Email: [info.de@wago.com](mailto:info.de@wago.com) | Web: [www.wago.com](http://www.wago.com)

Do you have any questions about our products?  
We are always happy to take your call at +49 (571) 887-44222.