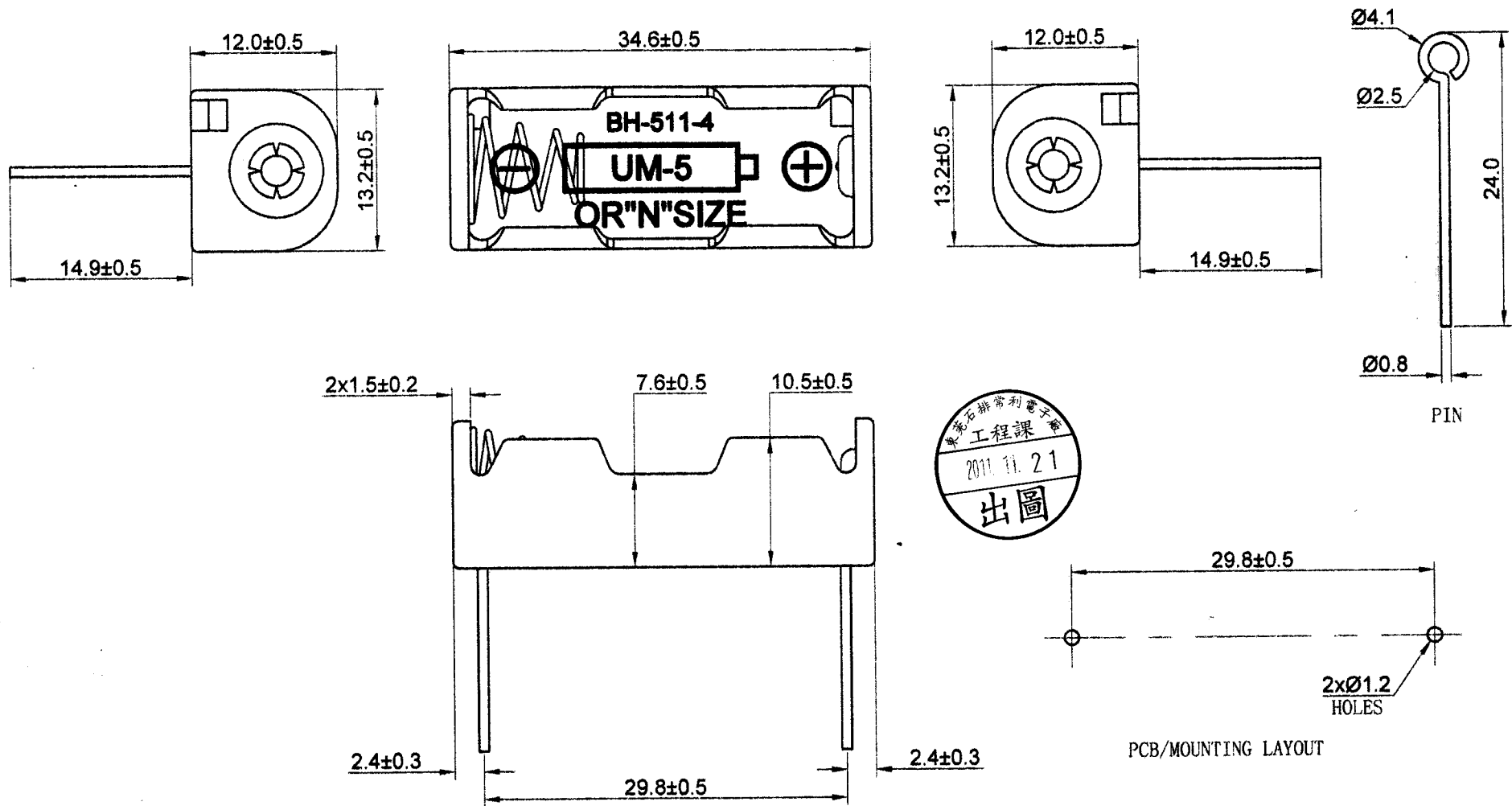


CT11-1125 P25/25



SPECIFICATION

- (1) ITEM NO. : BH-511-4P24
- (2) HOLDER MATERIAL: P. P. RESIN, BLACK COLOR
- (3) WITH PIN: Ø0.8x24MM, BRASS NICKEL PLATED
- (4) SPRING MATERIAL: Ø0.5MM 65C SPRING STEEL NICKEL PLATED
- (5) RIVET MATERIAL: BRASS NICKEL PLATED
- (6) RoHS COMPLIANT

3			COMFORTABLE ELECTRONIC CO.LTD.			
2			NAME BATTERY HOLDER: BH-511-4P24			
1			SCALE	2:1	APPD	<i>[Signature]</i>
NO.	MODIFICATION	DATE	UNIT	MM	CHKD	<i>[Signature]</i>
General Tolerances			MAT'L	AS SPEC.	DWN	HUANGAILAN
0~>3	± 0.10	30~>120 ± 0.30	DATE	NOV. 19. 2011	DR NO	5114P24-1111
3~>6	± 0.10	120~>400 ± 0.50	The Third Angle Projection			
6~>30	± 0.20	Angle: ± 3°				