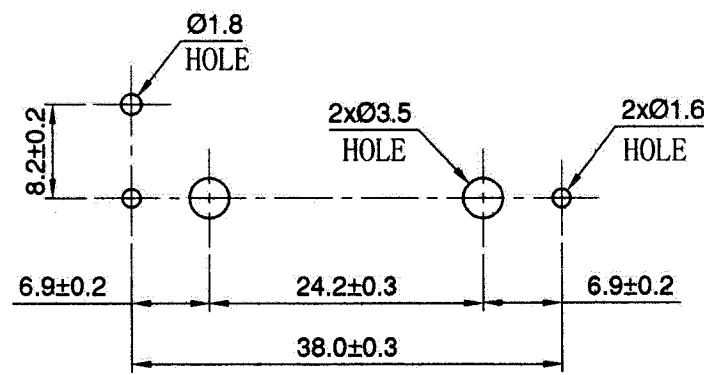
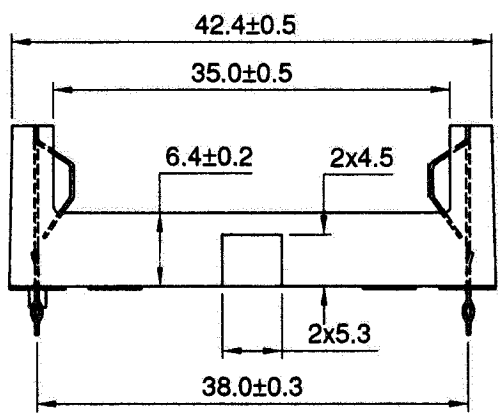
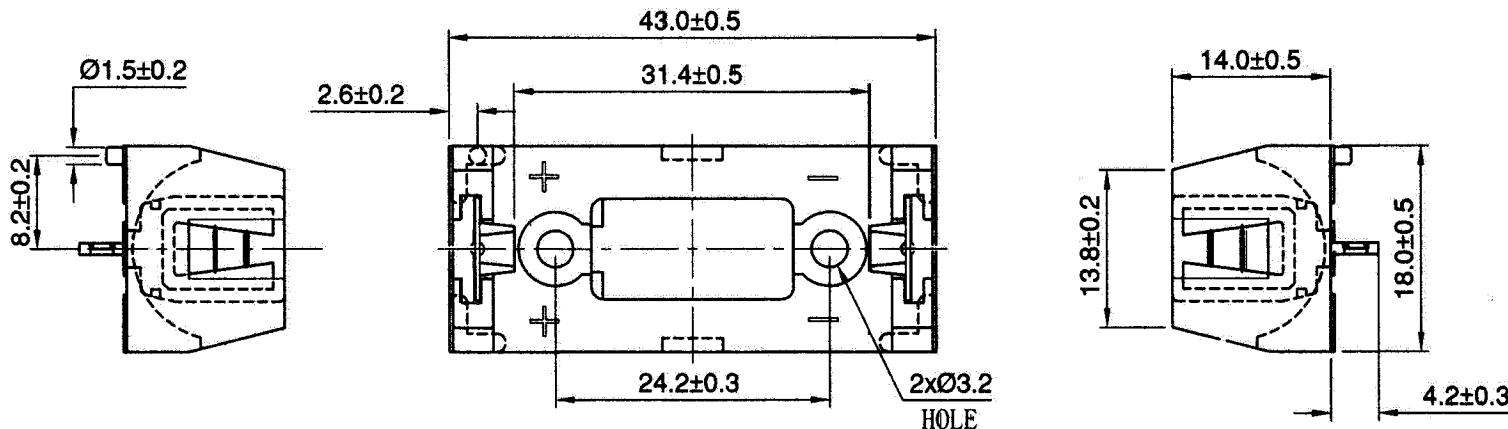


Order code	Manufacturer code	Description
18-0153	n/a	CR123A BATTERY HOLDER PCB MOUNT (RC)

	Page 1 of 2
The enclosed information is believed to be correct, Information may change without notice due to product improvement. Users should ensure that the product is suitable for their use. E. & O. E.	Revision A 20/02/2007



PCB/MOUNTING LAYOUT



SPECIFICATION

- (1) ITEM NO: BHC-CR123A
- (2) MATERIAL: ABS 94VO RESIN, BLACK COLOR
- (3) WITH CR123A-A CONTACT: 0.3MM THK #301 HALF HARD STAINLESS STEEL NICKEL PLATED
- (4) RoHS COMPLIANT

3		
2		
1		
NO.	MODIFICATION	DATE
<p>THIRD ANGLE PROJECTION</p>		

COMP COMFORTABLE ELECTRONIC CO., LTD.			
NAME	BATTERY HOLDER BHC-CR123A		
SCALE	1.5:1	APPD	<i>[Signature]</i> 5/10.08
UNIT	MM	CHKD	<i>[Signature]</i> 5/10.08
MAT'L	AS SPEC.	DWN	HUHONGWEI
DATE	MAY. 10. 2008	DR NO	CR123A-0508