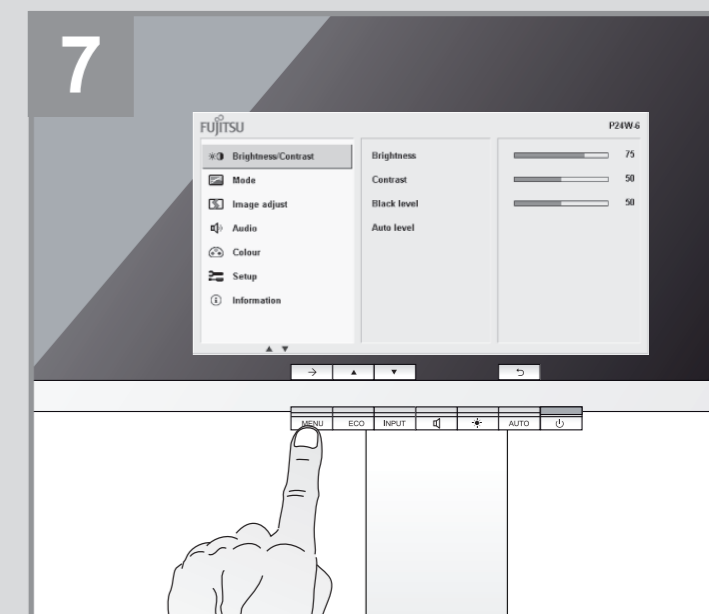
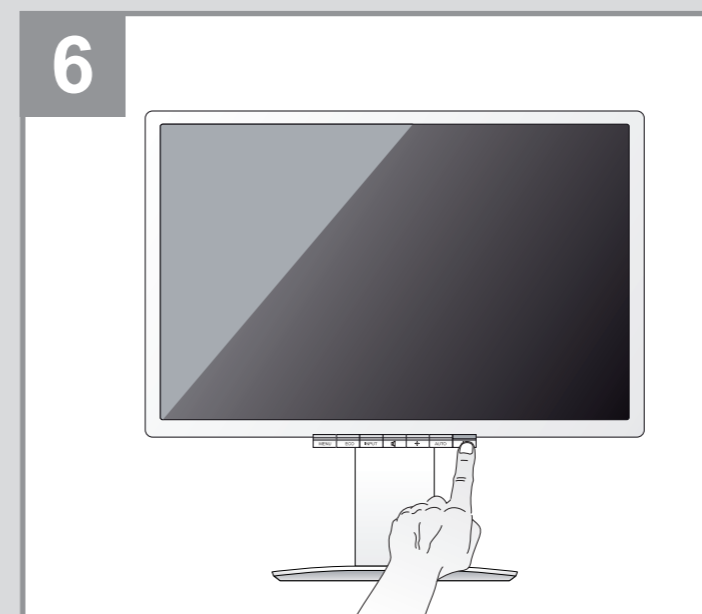
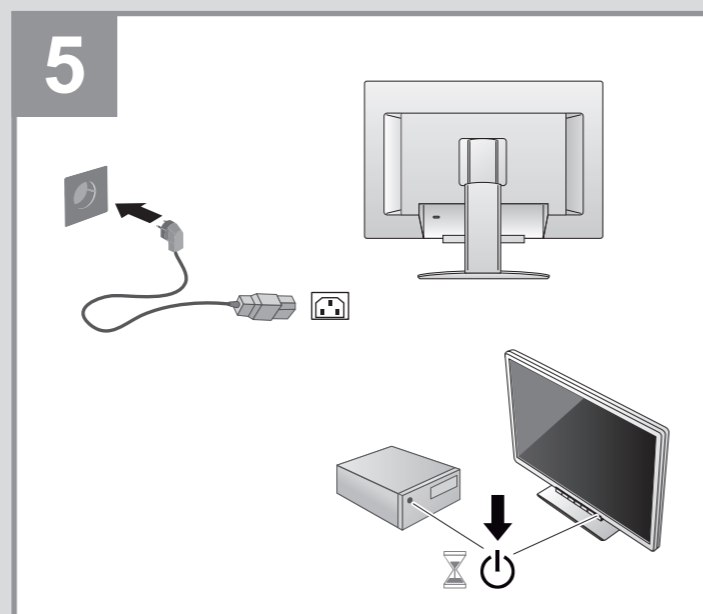
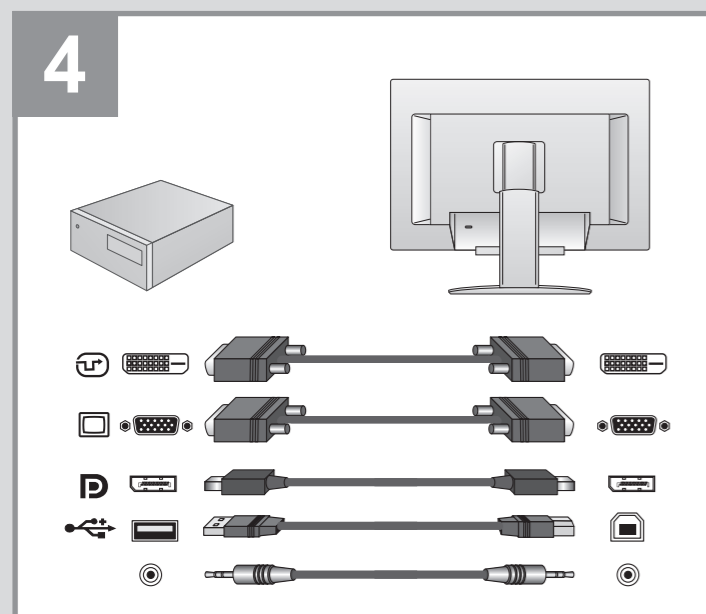
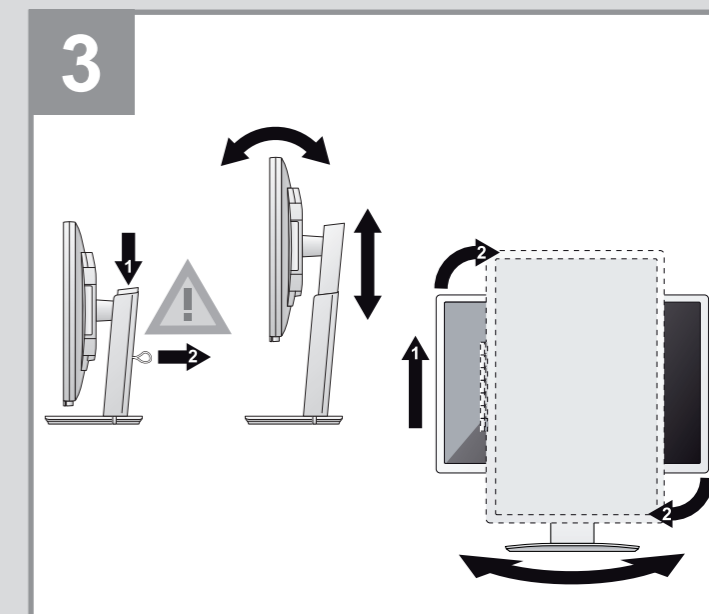
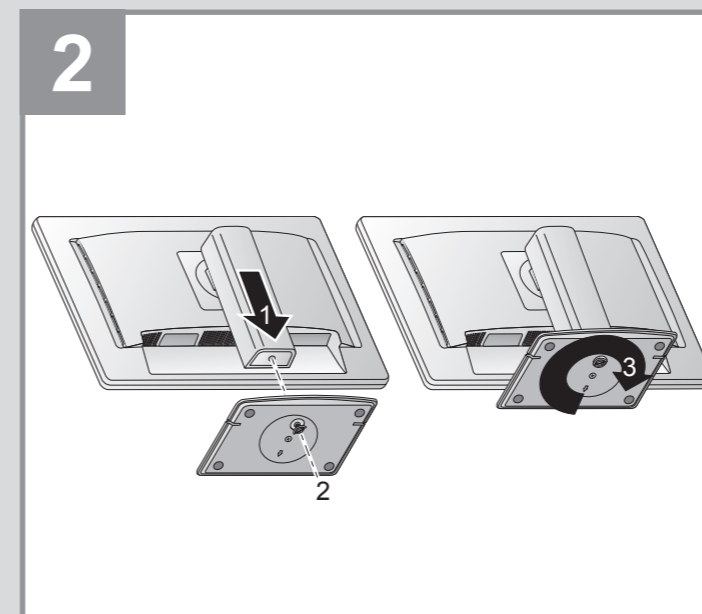
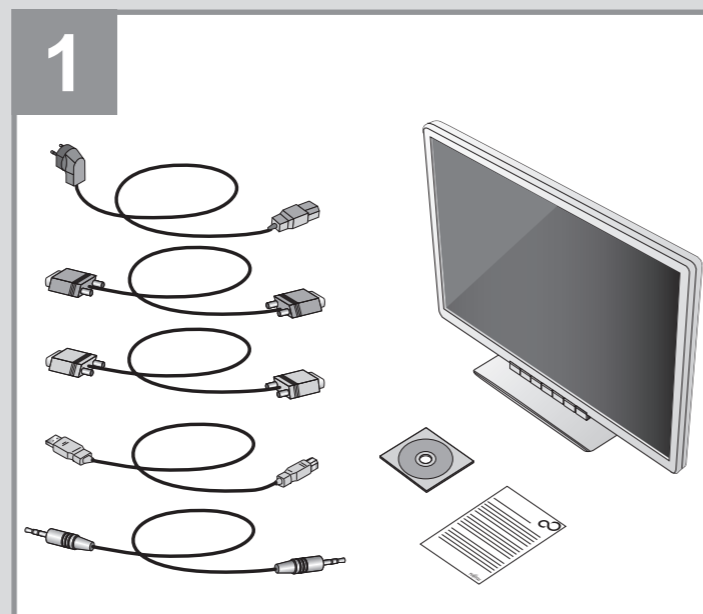


## Quick Start Guide



Published by  
Fujitsu Technology Solutions GmbH  
Mies-van-der-Rohe-Straße 8  
80807 München, Germany

Creation  
Xerox Global Services

Edition: 2  
11/2015

Order No.: A26361-K1472-Z310-1-8N19



A26361-K1472-Z310-1-8N19

- [www.fujitsu.com/fts/support/manuals](http://www.fujitsu.com/fts/support/manuals)
- [www.fujitsu.com/fts/support/warranty](http://www.fujitsu.com/fts/support/warranty)
- [www.fujitsu.com/fts/contact/service-desk](http://www.fujitsu.com/fts/contact/service-desk)
- [www.fujitsu.com/fts/download](http://www.fujitsu.com/fts/download)
- [www.fujitsu.com/fts/recycling](http://www.fujitsu.com/fts/recycling)