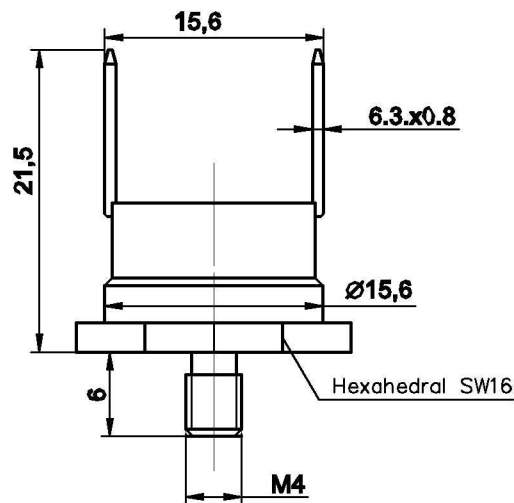


7qp31-3

PRODUCT SPECIFICATION

Product Type:	Thermostat
Product Model:	TK24-T02-MG08-B1P-1

BASIC TECHNICAL DATA



Parameters name	Value
Nominal voltage, V, not more	~250
Nominal current, A, at power coeff. 0.95, not more	16
Switching cycles, at current 16A and power coeff. 0.95, not less than	30000
Switching cycles, at current 10A and power coeff. 0.95, not less than	100000
Response temperature, °C	60
Response temperature tolerance, °C	±3
Reset temperature, °C	45±5
Contact resistance, Ω, not more	0.05
Electric strength of insulation, V, not less than	1500
Insulation resistance, MΩ, not less than	50
Degrees of protection provided by enclosure	IP4X
Heating speed, K/min	min- 0.1; max -1.0

Approvals: VDE; UL

Thermostat TK24-T02-MG08-B1P-1			
		Drawing N°	HOLO 405142.020SB
		Signat.	Date
Develop.	Agababian A.		28.11.18
Check	Margarian A.		
		Scale	Page 1
		2:1	Pages 1
		"Thermorex" CJSC	

Version 01