

Pacific C-Pro G1/4 PETG 16mm OD Compression

DIY Water Cooling Kit

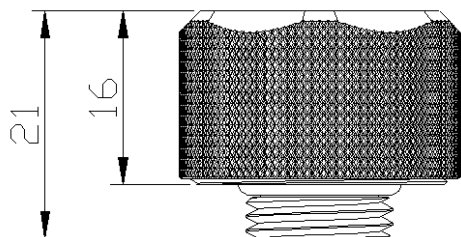
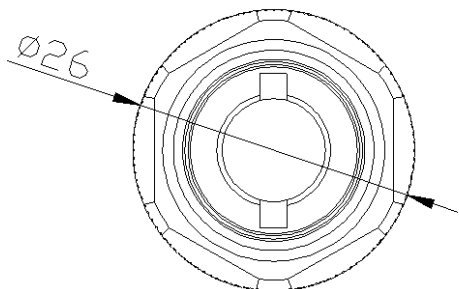
•Feature

- Designed for 16mm OD PETG tube
- 4 x O-rings leak-free design
- Patented design to build up easily
- Compatible with G $\frac{1}{4}$ " Thread
- Special anodizing surface treatment
- compatible with PETG, Acrylic and Cooper tubing



Pacific C-Pro G1/4 PETG 16mm OD Compression

•Dimension



•Specification

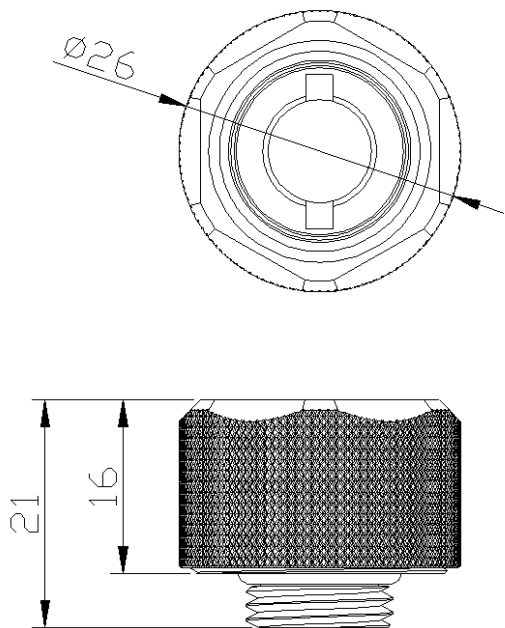
P/N	CL-W209-CU00RE-A
P/N	Pacific C-Pro G1/4 PETG 16mm OD Compression - Red
Dimension	D26 x 21 (H) (mm)
Applicable	OD : 16 mm
Weight	30 g
Material	CU + AL
Screw thread	G 1/4
Note	PETG Tube to G1/4

CL-W209-CU00RE-A



Pacific C-Pro G1/4 PETG 16mm OD Compression

•Dimension



•Specification

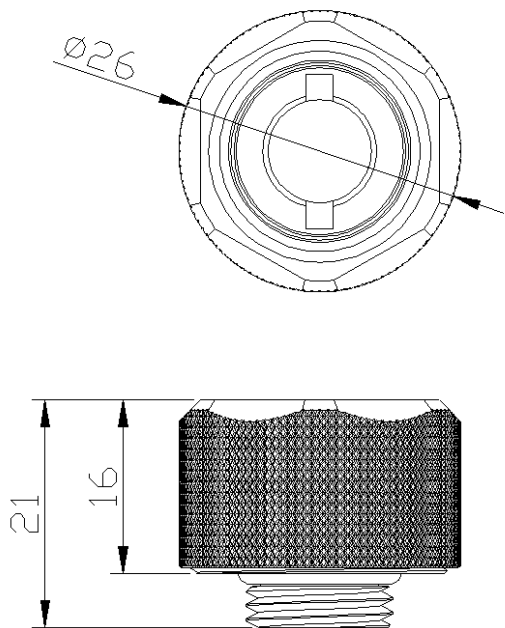
P/N	CL-W210-CU00BU-A
P/N	Pacific C-Pro G1/4 PETG 16mm OD 6 Pack - Blue
Dimension	D26 x 21 (H) (mm)
Applicable	OD : 16 mm
Weight	30 g
Material	CU + AL
Screw thread	G 1/4
Note	PETG Tube to G1/4

CL-W210-CU00BU-A



Pacific C-Pro G1/4 PETG 16mm OD Compression

•Dimension



•Specification

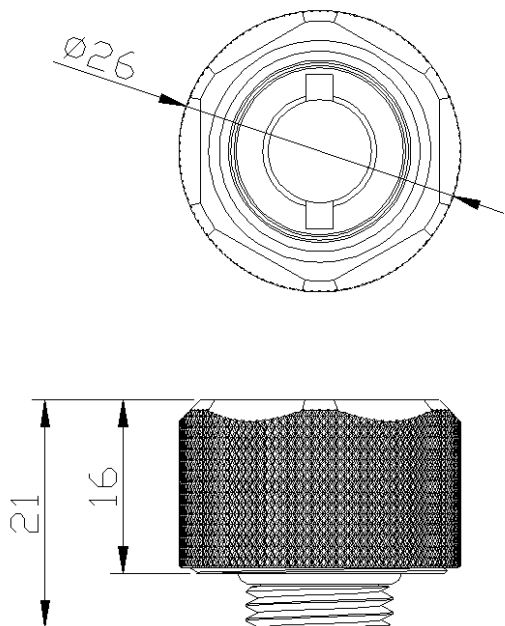
P/N	CL-W209-CU00WT-A
P/N	Pacific C-Pro G1/4 PETG 16mm OD Compression - White
Dimension	D26 x 21 (H) (mm)
Applicable	OD : 16 mm
Weight	40 g
Material	CU
Screw thread	G 1/4
Note	PETG Tube to G1/4

CL-W209-CU00WT-A



Pacific C-Pro G1/4 PETG 16mm OD Compression

•Dimension



•Specification

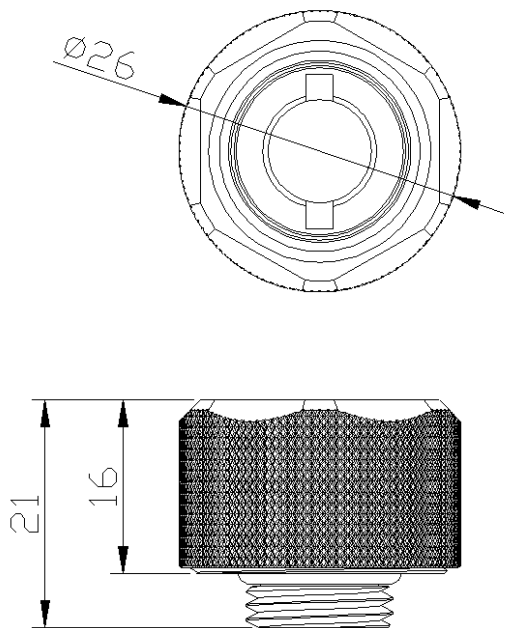
P/N	CL-W209-CU00GR-A
P/N	Pacific C-Pro G1/4 PETG 16mm OD Compression - Green
Dimension	D26 x 21 (H) (mm)
Applicable	OD : 16 mm
Weight	30 g
Material	CU + AL
Screw thread	G 1/4
Note	PETG Tube to G1/4

CL-W209-CU00GR-A



Pacific C-Pro G1/4 PETG 16mm OD Compression

•Dimension



•Specification

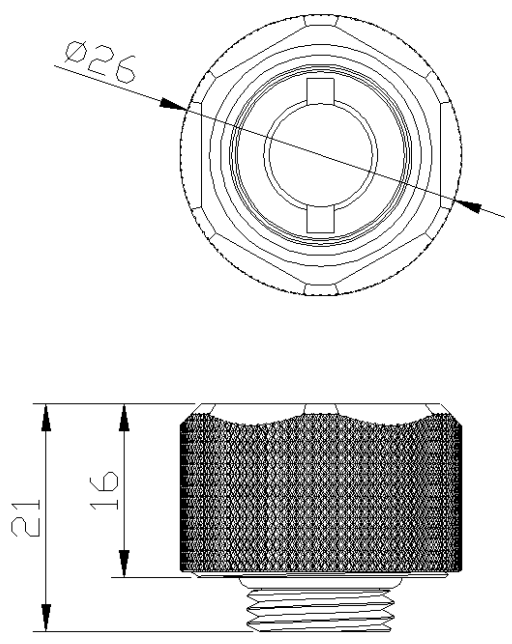
P/N	CL-W209-CU00SL-A
P/N	Pacific C-Pro G1/4 PETG 16mm OD Compression - Chrome
Dimension	D26 x 21 (H) (mm)
Applicable	OD : 16 mm
Weight	40 g
Material	CU
Screw thread	G 1/4
Note	PETG Tube to G1/4

CL-W209-CU00SL-A



Pacific C-Pro G1/4 PETG 16mm OD Compression

•Dimension



•Specification

P/N	CL-W209-CU00BL-A
P/N	Pacific C-Pro G1/4 PETG 16mm OD Compression - Black
Dimension	D26 x 21 (H) (mm)
Applicable	OD : 16 mm
Weight	30 g
Material	CU + AL
Screw thread	G 1/4
Note	PETG Tube to G1/4

CL-W209-CU00BL-A



Pacific C-Pro G1/4 PETG 16mm OD Compression

•Feature



leak-free design

Four O-ring leak-free design



Patented design

Patented design to build up easily



Application

Compatible with G1/4 Thread

Pacific C-Pro G1/4 PETG 16mm OD Compression

***P/N: CL-W209-CU00RE-A CL-W210-CU00BU-A CL-W211-CU00WT-A
CL-W212-CU00GR-A CL-W213-CU00SL-A CL-W214-CU00BL-A***

Pacific C-Pro G1/4 PETG 16mm OD Compression

DIY Water Cooling Kit



TT thermaltake