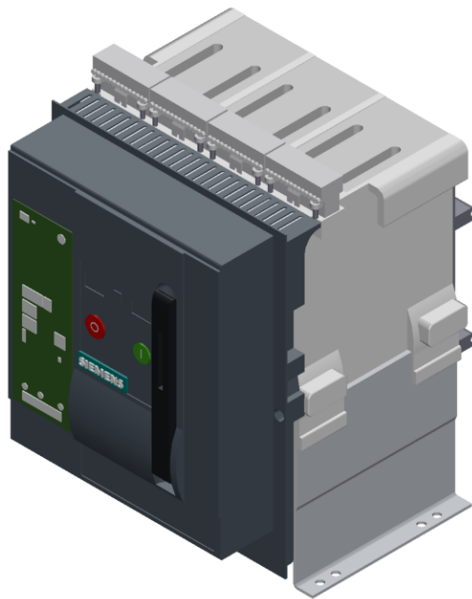


fixed-mounted circuit breaker 3-pole, size I, IEC In=1600A to 690V, AC50/60Hz Icu=55kA at 500V rear connection horizontal Overcurrent release ETU 25 LSI protection adjustable 0.4-1 in Motorized/manual operating mechanism with memory Drive motor AC 50/60 Hz 208-240 V or 220-250 V DC Activation AC 50/60 Hz 230 V, 220 V DC With 1st auxiliary release Shunt release "F", F1 50/60 Hz 230 V AC/220 V DC, 100% on-load factor With 2nd auxiliary release "R", F3 Undervoltage, instant. 208-240 V AC, 220-250 V DC 4NO+4NC



Model	
Product brand name	SENTRON
Product designation	ACB
Design of the auxiliary switch	4 NO + 4 NC
Design of the product	IEC 60947-2
Design of the operating mechanism	Pushbutton

Type of the driving mechanism	Manual/motorized operating mechanism with mechanical and electrical closing
Type of the driving mechanism / motor drive	Yes
Design of the overcurrent release	ETU25B

General technical data

Number of poles	3
Size of the circuit-breaker	1
Electrical endurance (switching cycles) / typical	20 000
Usage category	B
circuit-breaker / Design	3WL1
Mechanical service life (switching cycles) / typical	20 000

Voltage

Rated insulation voltage U_i	1 000 V
--------------------------------	---------

Protection class

Protection class IP	IP20
Protective function of the overcurrent release	LSI

Dissipation

Power loss [W] / for rated value of the current / at AC / in hot operating state / per pole	50 W
---	------

Electricity

Operating current / at 45 °C / rated value	1 600 A
Continuous current / rated value	1 600 A
Adjustable pick-up value current	
• of the current-dependent overload release / Full-scale value	1 600 A
• of instantaneous short-circuit trip unit / initial value	32 000 A
• of instantaneous short-circuit trip unit / Full-scale value	32 000 A
Short-time current resistance (I_{cw})	
• limited to 0.5 s / rated value	55 kA
• limited to 1 s / rated value	42 kA
• limited to 2 s / rated value	29.5 kA
• limited to 3 s / rated value	24 kA

Main circuit

Operating frequency	
• 1 / rated value	50 Hz
• 2 / rated value	60 Hz
Operating voltage	
• at AC / at 50/60 Hz / rated value	690 V
Operating current	

• at 40 °C / rated value	1 600 A
• at 50 °C / rated value	1 600 A
• at 55 °C / rated value	1 600 A
• at 60 °C / rated value	1 600 A
• at 65 °C / rated value	1 600 A
• at 70 °C / rated value	1 490 A

Auxiliary circuit

Number of NC contacts / for auxiliary contacts	4
Number of NO contacts / for auxiliary contacts	4

Suitability

Suitability for use	Plant / motor protection
---------------------	--------------------------

Adjustable parameters

Adjustable pick-up value current / of the current-dependent overload release / initial value	640 A
--	-------

Product details

Product component	
• Trip indicator	Yes
• Voltage trigger	Yes
• undervoltage release	Yes
Product extension / optional / motor drive	No

Product function

Product function	
• Ground fault protection	No
• Phase failure detection	Yes

Display and operation

Display version	without display
-----------------	-----------------

Short circuit

Operational short-circuit current breaking capacity (Ics)	
• at 415 V / rated value	55 kA
• at 500 V / rated value	55 kA
• at 690 V / rated value	42 kA
Maximum short-circuit current breaking capacity (Icu)	
• at 415 V / rated value	55 kA
• at 500 V / rated value	55 kA
• at 690 V / rated value	42 kA

Connections

Type of electrical connection / for main current circuit	busbar connection
--	-------------------

Mechanical Design

Height	439.5 mm
Width	320 mm
Depth	337 mm
Mounting type	fixed mounting

Environmental conditions

Ambient temperature	-20 ... +70 °C
	-40 ... +70 °C

Certificates

Reference code	Q
• acc. to DIN EN 61346-2	Q
• acc. to DIN EN 81346-2	Q

General Product Approval	Declaration of Conformity	Test Certificates
--------------------------	---------------------------	-------------------



CCC



VDE



CB



EG-Konf.

[Miscellaneous](#)

[Special Test Certificate](#)

Shipping Approval



ABS



BUREAU VERITAS



LRS



PRS



RMRS

[CCS / China Classification Society](#)

other

[Environmental Conformations](#)

[Manufacturer Declaration](#)

[Confirmation](#)

[Miscellaneous](#)

Further information

Industry Mall (Online ordering system)

<https://mall.industry.siemens.com/mall/en/en/Catalog/product?mlfb=3WL1116-2CB32-4GN4>

Service&Support (Manuals, Certificates, Characteristics, FAQs,...)

<https://support.industry.siemens.com/cs/ww/en/ps/3WL1116-2CB32-4GN4>

Image database (product images, 2D dimension drawings, 3D models, device circuit diagrams, ...)

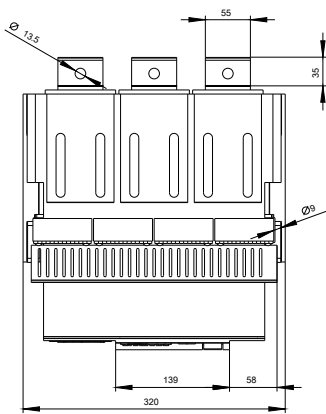
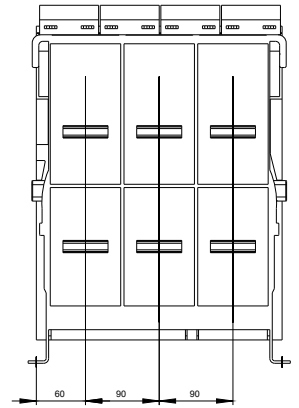
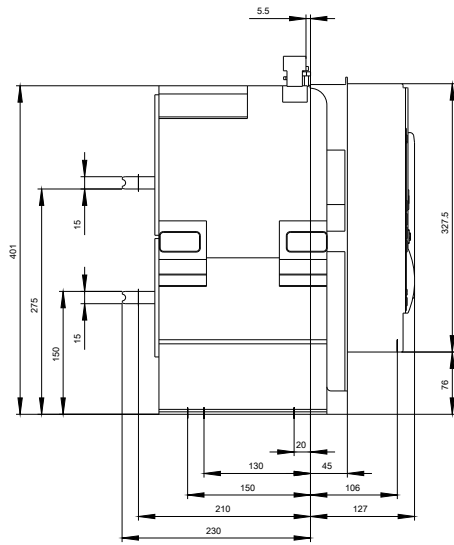
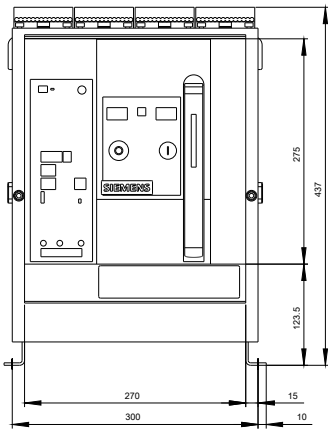
http://www.automation.siemens.com/bilddb/cax_en.aspx?mlfb=3WL1116-2CB32-4GN4

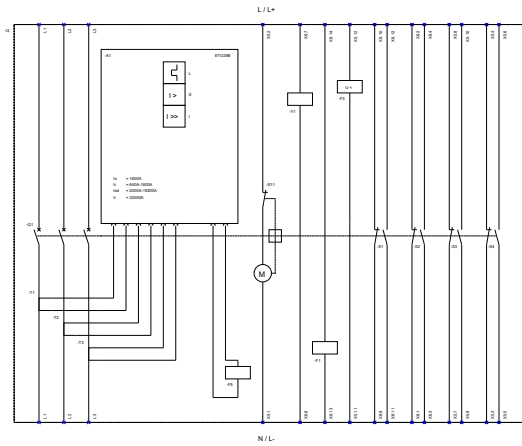
CAX-Online-Generator

<http://www.siemens.com/cax>

Tender specifications

<http://www.siemens.com/specifications>





1. (Timing Time Delay / Überbrückung) 2. (Short Time Delay / Kurzzeitverzögerung, kurzzeitverzögerung) 3. (Inverter / Invertierer, Umrichter)
 4. (General relay / Schaltrelais, Schaltrelais) 5. (Relay / Relais, Relais) 6. (Relay / Relais, Relais) 7. (Relay / Relais, Relais) 8. (Relay / Relais, Relais)
 9. (Relay / Relais, Relais) 10. (Relay / Relais, Relais) 11. (Relay / Relais, Relais) 12. (Relay / Relais, Relais) 13. (Relay / Relais, Relais)
 14. (Relay / Relais, Relais) 15. (Relay / Relais, Relais) 16. (Relay / Relais, Relais) 17. (Relay / Relais, Relais) 18. (Relay / Relais, Relais)
 19. (Relay / Relais, Relais) 20. (Relay / Relais, Relais) 21. (Relay / Relais, Relais) 22. (Relay / Relais, Relais) 23. (Relay / Relais, Relais)
 24. (Relay / Relais, Relais) 25. (Relay / Relais, Relais) 26. (Relay / Relais, Relais) 27. (Relay / Relais, Relais) 28. (Relay / Relais, Relais)
 29. (Relay / Relais, Relais) 30. (Relay / Relais, Relais) 31. (Relay / Relais, Relais) 32. (Relay / Relais, Relais) 33. (Relay / Relais, Relais)
 34. (Relay / Relais, Relais) 35. (Relay / Relais, Relais) 36. (Relay / Relais, Relais) 37. (Relay / Relais, Relais) 38. (Relay / Relais, Relais)
 39. (Relay / Relais, Relais) 40. (Relay / Relais, Relais) 41. (Relay / Relais, Relais) 42. (Relay / Relais, Relais) 43. (Relay / Relais, Relais)
 44. (Relay / Relais, Relais) 45. (Relay / Relais, Relais) 46. (Relay / Relais, Relais) 47. (Relay / Relais, Relais) 48. (Relay / Relais, Relais)
 49. (Relay / Relais, Relais) 50. (Relay / Relais, Relais) 51. (Relay / Relais, Relais) 52. (Relay / Relais, Relais) 53. (Relay / Relais, Relais)
 54. (Relay / Relais, Relais) 55. (Relay / Relais, Relais) 56. (Relay / Relais, Relais) 57. (Relay / Relais, Relais) 58. (Relay / Relais, Relais)
 59. (Relay / Relais, Relais) 60. (Relay / Relais, Relais) 61. (Relay / Relais, Relais) 62. (Relay / Relais, Relais) 63. (Relay / Relais, Relais)
 64. (Relay / Relais, Relais) 65. (Relay / Relais, Relais) 66. (Relay / Relais, Relais) 67. (Relay / Relais, Relais) 68. (Relay / Relais, Relais)
 69. (Relay / Relais, Relais) 70. (Relay / Relais, Relais) 71. (Relay / Relais, Relais) 72. (Relay / Relais, Relais) 73. (Relay / Relais, Relais)
 74. (Relay / Relais, Relais) 75. (Relay / Relais, Relais) 76. (Relay / Relais, Relais) 77. (Relay / Relais, Relais) 78. (Relay / Relais, Relais)
 79. (Relay / Relais, Relais) 80. (Relay / Relais, Relais) 81. (Relay / Relais, Relais) 82. (Relay / Relais, Relais) 83. (Relay / Relais, Relais)
 84. (Relay / Relais, Relais) 85. (Relay / Relais, Relais) 86. (Relay / Relais, Relais) 87. (Relay / Relais, Relais) 88. (Relay / Relais, Relais)
 89. (Relay / Relais, Relais) 90. (Relay / Relais, Relais) 91. (Relay / Relais, Relais) 92. (Relay / Relais, Relais) 93. (Relay / Relais, Relais)
 94. (Relay / Relais, Relais) 95. (Relay / Relais, Relais) 96. (Relay / Relais, Relais) 97. (Relay / Relais, Relais) 98. (Relay / Relais, Relais)
 99. (Relay / Relais, Relais) 100. (Relay / Relais, Relais)

last modified:

06/29/2019