

Basic switch without actuator head Metal enclosure, 56 mm wide  
 ASIsafe integrated AS-i status: 1:F-IN1, 2: F-IN2 3:AS-i/FAULT  
 Snap-action contacts 1 NC with M12 connector 4-pole Channel 1 to  
 NC, Channel 2 to M12 socket on the right



Product brand name	SIRIUS
Product designation	Mechanical safety switches
Product type designation	3SF11
Manufacturer's article number	
<ul style="list-style-type: none"> <li>of the supplied basic switch</li> </ul>	<a href="#">3SF1124-1LA00-1BA2</a>
Suitability for use safety switch	Yes

General technical data	
Product function	
<ul style="list-style-type: none"> <li>positive opening</li> </ul>	Yes
Degree of pollution	class 3
Surge voltage resistance rated value	0.8 kV
Protection class IP	IP66/IP67
Shock resistance	
<ul style="list-style-type: none"> <li>acc. to IEC 60068-2-27</li> </ul>	30 g / 11 ms
Mechanical service life (switching cycles)	
<ul style="list-style-type: none"> <li>typical</li> </ul>	15 000 000
Reference code acc. to DIN EN 81346-2	B
Reference code acc. to DIN EN 61346-2	B
Active principle	mechanical

<b>Repeat accuracy</b>	0.1 mm
<b>Length of the sensor</b>	99.7 mm
<b>Width of the sensor</b>	56 mm
<b>Design of the switching contact</b>	mechanical
<b>Number of NC contacts for auxiliary contacts</b>	2
<b>Number of NO contacts for auxiliary contacts</b>	0
<b>Number of CO contacts for auxiliary contacts</b>	1
<b>Design of the interface for safety-related communication</b>	ASIsafe via M12 plug, channel 2 looped through to M12 socket on the right

#### Enclosure

<b>Design of the housing</b>	block, wide
<b>Material of the enclosure</b>	metal
<b>Coating of the enclosure</b>	cathodic immersion coating
<b>Design of the housing acc. to standard</b>	No

#### Drive Head

<b>Design of the switching function</b>	positive opening
<b>Circuit principle</b>	snap-action contacts
<b>Number of switching contacts safety-related</b>	1

#### Connections/ Terminals

<b>Type of electrical connection</b>	plug M12
<b>Design of plug-in connection</b>	M12 plug, 4-pole: Pin 1 = ASI+ , Pin 2 = not assigned, Pin 3= ASI- , Pin 4 = not assigned
<b>AS interface slave profile</b>	0.B.F
<b>ID1 code</b>	F (hex, variable 0...F)




#### Supply voltage

<b>Type of voltage of the supply voltage</b>	DC
• of the optional LED indicator	
<b>Supply voltage</b>	24 V
• of LED	

#### Installation/ mounting/ dimensions

<b>Mounting position</b>	any
<b>Mounting type</b>	screw fixing

#### Certificates/ approvals

General Product Approval	Declaration of Conformity	Test Certificates	other
 UL	  EG-Konf.	<a href="#">Miscellaneous</a> <a href="#">Type Test Certificates/Test Report</a>	<a href="#">Confirmation</a>

other
<a href="#">Miscellaneous</a>

### Further information

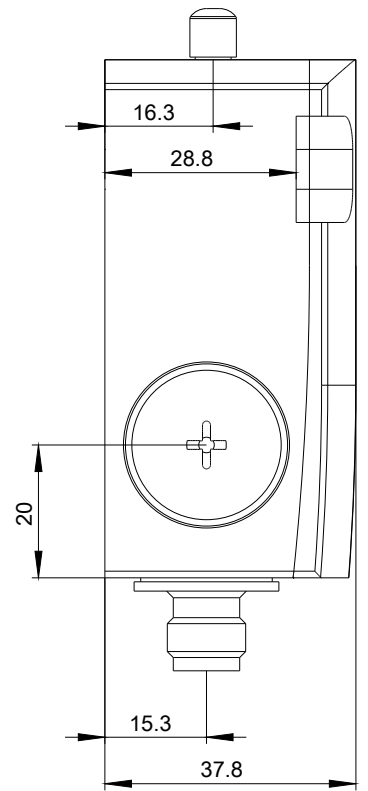
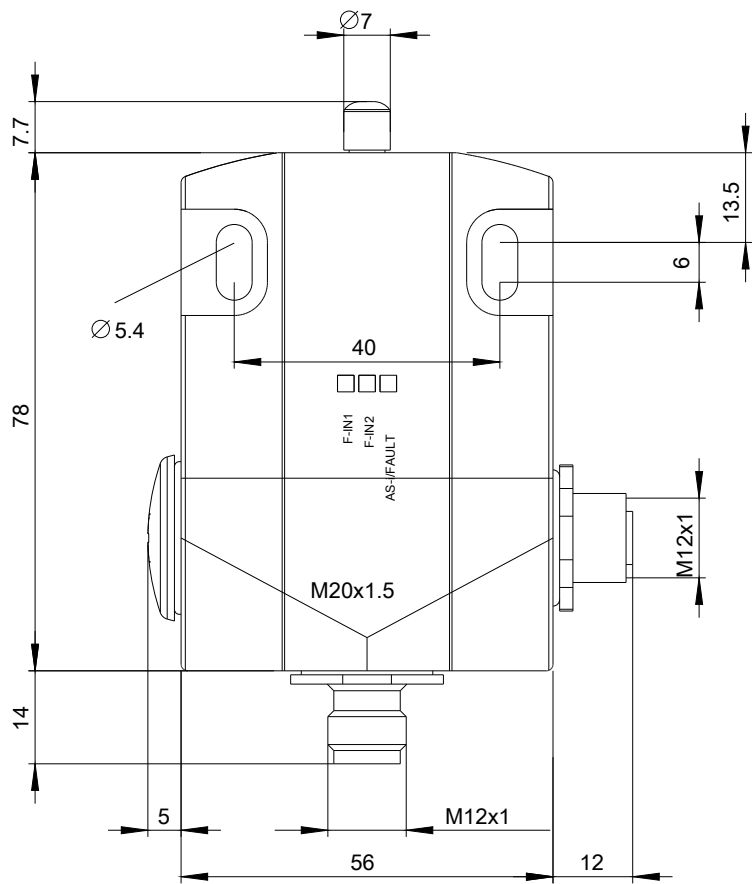
**Information- and Downloadcenter (Catalogs, Brochures,...)**  
[www.siemens.com/sirius/catalogs](http://www.siemens.com/sirius/catalogs)

**Industry Mall (Online ordering system)**  
<https://mall.industry.siemens.com/mall/en/en/Catalog/product?mlfb=3SF1124-1LA00-1BA2>

**Cax online generator**  
<http://support.automation.siemens.com/WW/CAXorder/default.aspx?lang=en&mlfb=3SF1124-1LA00-1BA2>

**Service&Support (Manuals, Certificates, Characteristics, FAQs,...)**  
<https://support.industry.siemens.com/cs/ww/en/ps/3SF1124-1LA00-1BA2>

**Image database (product images, 2D dimension drawings, 3D models, device circuit diagrams, EPLAN macros, ...)**  
[http://www.automation.siemens.com/bilddb/cax\\_de.aspx?mlfb=3SF1124-1LA00-1BA2&lang=en](http://www.automation.siemens.com/bilddb/cax_de.aspx?mlfb=3SF1124-1LA00-1BA2&lang=en)





1	→	ASI +
2	→	n. c.
3	→	ASI -
4	→	n. c.

last modified:

09/12/2019