

Position switch with rounded plunger Metal enclosure, according to EN 50047 ASIsafe integrated AS-i status: 1:F-IN1, 2: F-IN2 3:AS-i/FAULT Slow-action contacts 2 NC with M12 connector 4-pole Channel 1 to NC, Channel 2 to NC



| | |
|--|------------------------------------|
| Product brand name | SIRIUS |
| Product designation | Mechanical safety switches |
| Product type designation | 3SF12 |
| Manufacturer's article number | |
| <ul style="list-style-type: none"> of the supplied basic switch | 3SF1214-1KC05-1BA1 |
| Suitability for use safety switch | Yes |

| General technical data | |
|--|--------------|
| Product function | |
| <ul style="list-style-type: none"> positive opening | Yes |
| Degree of pollution | class 3 |
| Surge voltage resistance rated value | 0.8 kV |
| Protection class IP | IP66/IP67 |
| Shock resistance | |
| <ul style="list-style-type: none"> acc. to IEC 60068-2-27 | 30 g / 11 ms |
| Mechanical service life (switching cycles) | |
| <ul style="list-style-type: none"> typical | 15 000 000 |
| Reference code acc. to DIN EN 81346-2 | B |
| Reference code acc. to DIN EN 61346-2 | B |
| Active principle | mechanical |

| | |
|--|----------------------|
| Repeat accuracy | 0.1 mm |
| Minimum actuating force in activation direction | 20 N |
| Length of the sensor | 89.7 mm |
| Width of the sensor | 31 mm |
| Design of the switching contact | mechanical |
| Number of NC contacts for auxiliary contacts | 2 |
| Number of NO contacts for auxiliary contacts | 0 |
| Number of CO contacts for auxiliary contacts | 1 |
| Design of the interface for safety-related communication | ASIsafe via M12 plug |

Enclosure

| | |
|--|----------------------------|
| Design of the housing | block, narrow |
| Material of the enclosure | metal |
| Coating of the enclosure | cathodic immersion coating |
| Design of the housing acc. to standard | Yes |

Drive Head

| | |
|---|--|
| Design of the operating mechanism | Other, without, ASi_basic switch with plug |
| Design of the switching function | positive opening |
| Circuit principle | slow-action contacts |
| Number of switching contacts safety-related | 2 |

Connections/ Terminals

| | |
|-------------------------------|---|
| Type of electrical connection | M12 plug, fixed, 4-pole |
| Design of plug-in connection | M12 plug, 4-pole: Pin 1 = ASI+ , Pin 2 = not assigned, Pin 3= ASI- , Pin 4 = not assigned |
| AS interface slave profile | 0.B.F |
| ID1 code | F (hex, variable 0...F) |

Supply voltage

| | |
|---------------------------------------|------|
| Type of voltage of the supply voltage | DC |
| • of the optional LED indicator | |
| Supply voltage | 24 V |
| • of LED | |

Installation/ mounting/ dimensions

| | |
|-------------------|--------------|
| Mounting position | any |
| Mounting type | screw fixing |

Certificates/ approvals

| | | | |
|--------------------------|---------------------------------------|---------------------------|-------------------|
| General Product Approval | Functional Safety/Safety of Machinery | Declaration of Conformity | Test Certificates |
|--------------------------|---------------------------------------|---------------------------|-------------------|



[Type Examination Certificate](#)



[Miscellaneous](#)

[Type Test Certificates/Test Report](#)

other

[Confirmation](#)

Further information

Information- and Downloadcenter (Catalogs, Brochures,...)

www.siemens.com/sirius/catalogs

Industry Mall (Online ordering system)

<https://mall.industry.siemens.com/mall/en/en/Catalog/product?mlfb=3SF1214-1KC05-1BA1>

Cax online generator

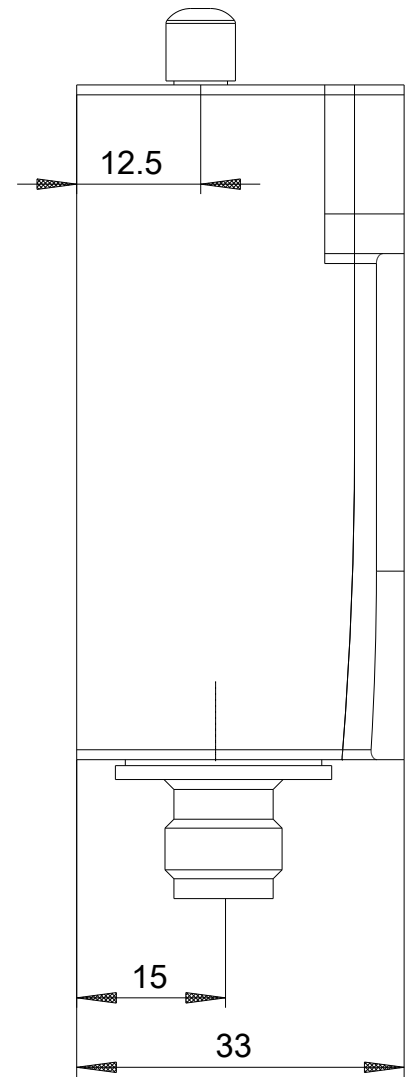
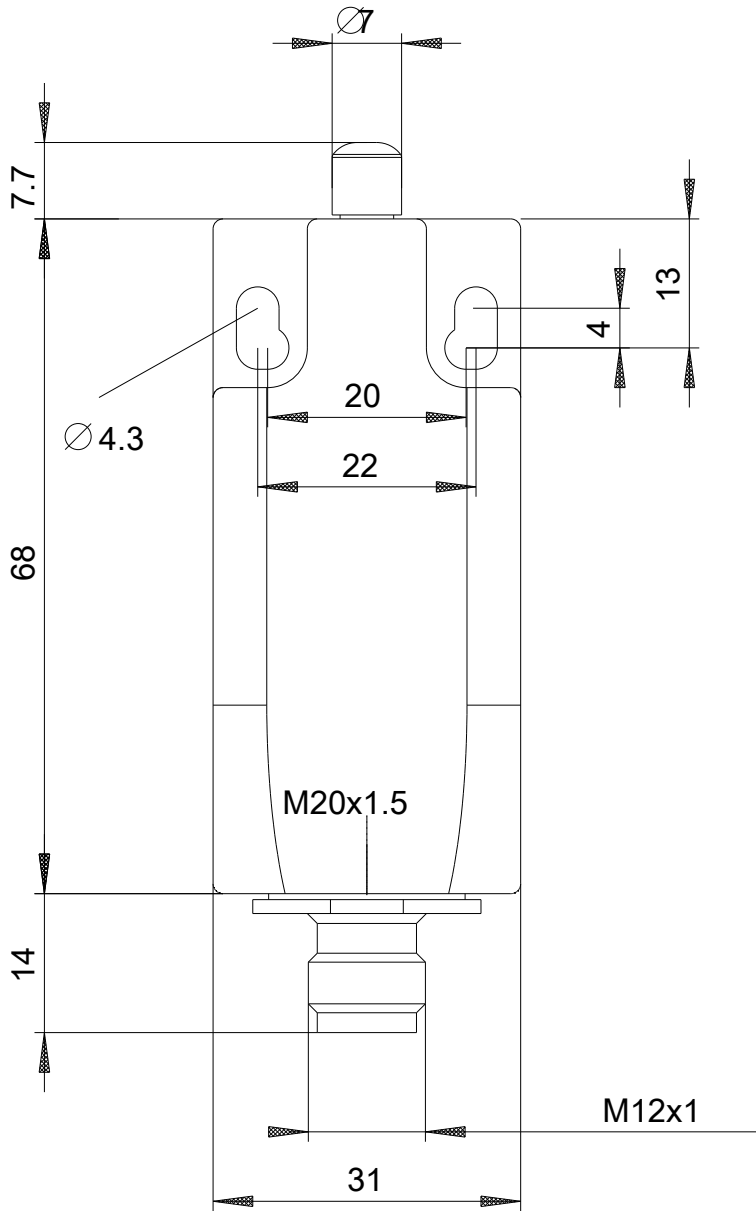
<http://support.automation.siemens.com/WW/CAXorder/default.aspx?lang=en&mlfb=3SF1214-1KC05-1BA1>

Service&Support (Manuals, Certificates, Characteristics, FAQs,...)

<https://support.industry.siemens.com/cs/ww/en/ps/3SF1214-1KC05-1BA1>

Image database (product images, 2D dimension drawings, 3D models, device circuit diagrams, EPLAN macros, ...)

http://www.automation.siemens.com/bilddb/cax_de.aspx?mlfb=3SF1214-1KC05-1BA1&lang=en





| | | |
|---|---|-------|
| 1 | → | ASI + |
| 2 | → | n. c. |
| 3 | → | ASI - |
| 4 | → | n. c. |

last modified:

09/12/2019