

Safety position switch with separate actuator 5 directions of approaches Plastic enclosure 50 mm wide ASIsafe integrated AS-i status: 1:F-IN1, 2: F-IN2 3:AS-i/FAULT Slow-action contacts 1 NC with M12 connector 4-pole Channel 1 to NC, Channel 2 to NC



|   |  |
|---|--|
| Product brand name  | SIRIUS   |
| Product designation   | Mechanical safety switches   |
| Product type designation  | 3SF12  |
| Manufacturer's article number <ul style="list-style-type: none"> <li>of the optional actuators</li> </ul> | 3SE5000-0AV01 standard actuator, 3SE5000-0AV02 actuator with vertical fixing, 3SE5000-0AV03 actuator with transverse fixing, 3SE5000-0AV04 radius actuator left, 3SE5000-0AV05 universal actuator, 3SE5000-0AV06 radius actuator right |
| Suitability for use safety switch   | Yes  |

| General technical data   |              |
|--|--------------|
| Product function <ul style="list-style-type: none"> <li>positive opening</li> </ul>                  | Yes          |
| Degree of pollution  | class 3      |
| Surge voltage resistance rated value   | 0.8 kV       |
| Protection class IP  | IP66/IP67    |
| Shock resistance <ul style="list-style-type: none"> <li>acc. to IEC 60068-2-27</li> </ul>            | 30 g / 11 ms |
| Mechanical service life (switching cycles) <ul style="list-style-type: none"> <li>typical</li> </ul> | 1 000 000    |

|  |   |
|--|---|
| Material of the enclosure of the switch head             | plastic enclosure   |
| Reference code acc. to DIN EN 81346-2                    | B   |
| Reference code acc. to DIN EN 61346-2                    | B   |
| Active principle   | mechanical  |
| Repeat accuracy  | 0.1 mm  |
| Minimum actuating force in activation direction          | 10 N  |
| Length of the sensor                                     | 89 mm   |
| Width of the sensor                                      | 50 mm   |
| Design of the switching contact                          | mechanical  |
| Number of NC contacts for auxiliary contacts             | 2   |
| Number of NO contacts for auxiliary contacts             | 0   |
| Number of CO contacts for auxiliary contacts             | 1   |
| Design of the interface for safety-related communication | ASIsafe via M12 plug, channel 2 looped through to M12 socket on the right |

#### Enclosure

|  |             |
|--|-------------|
| Design of the housing                  | block, wide |
| Material of the enclosure              | plastic     |
| Design of the housing acc. to standard | No          |

#### Drive Head

|   |                      |
|---|----------------------|
| Design of the operating mechanism           | without              |
| Design of the switching function            | positive opening     |
| Circuit principle                           | slow-action contacts |
| Number of switching contacts safety-related | 1                    |

#### Connections/ Terminals

|                               |                         |
|-------------------------------|-------------------------|
| Type of electrical connection | M12 plug, fixed, 4-pole |
|-------------------------------|-------------------------|

#### Safety related data

|  |   |
|--|---|
| <b>B10 value</b>   |   |
| <ul style="list-style-type: none"> <li>with high demand rate acc. to SN 31920</li> </ul> | 1 000 000   |
| <b>Proportion of dangerous failures</b>  |   |
| <ul style="list-style-type: none"> <li>with high demand rate acc. to SN 31920</li> </ul> | 20 %  |
| <b>Design of plug-in connection</b>  | M12 plug, 4-pole: Pin 1 = ASI+ , Pin 2 = not assigned, Pin 3= ASI- , Pin 4 = not assigned |
| <b>AS interface slave profile</b>  | 0.B.F   |
| <b>ID1 code</b>  | F (hex, variable 0...F)   |

#### Supply voltage

|   |      |
|---|------|
| <b>Type of voltage of the supply voltage</b>                                    |      |
| <ul style="list-style-type: none"> <li>of the optional LED indicator</li> </ul> | DC   |
| <b>Supply voltage</b>   |      |
| <ul style="list-style-type: none"> <li>of LED</li> </ul>                        | 24 V |




#### Installation/ mounting/ dimensions

|                          |     |
|--------------------------|-----|
| <b>Mounting position</b> | any |
|--------------------------|-----|

Mounting type

screw fixing

### Certificates/ approvals

| General Product Approval  | Functional Safety/Safety of Machinery   | Declaration of Conformity   | Test Certificates                                  |
|---|---|---|--|
| <br>UL |  | <br>EG-Konf. |  |
|   | <a href="#">Type Examination Certificate</a>                                      | <a href="#">Miscellaneous</a>   | <a href="#">Type Test Certificates/Test Report</a> |

### other

[Confirmation](#)

### Further information

**Information- and Downloadcenter (Catalogs, Brochures,...)**

[www.siemens.com/sirius/catalogs](http://www.siemens.com/sirius/catalogs)

**Industry Mall (Online ordering system)**

<https://mall.industry.siemens.com/mall/en/en/Catalog/product?mlfb=3SF1244-1QV40-1BA2>

**Cax online generator**

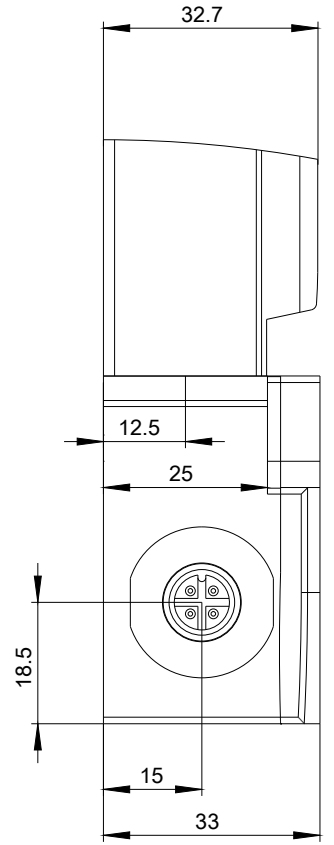
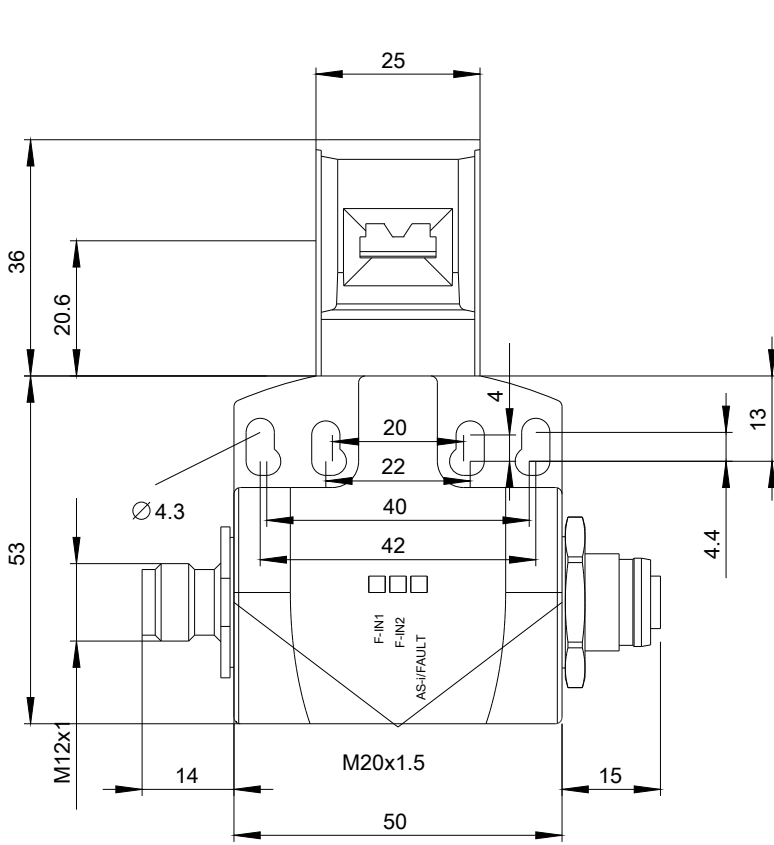
<http://support.automation.siemens.com/WW/CAXorder/default.aspx?lang=en&mlfb=3SF1244-1QV40-1BA2>

**Service&Support (Manuals, Certificates, Characteristics, FAQs,...)**

<https://support.industry.siemens.com/cs/ww/en/ps/3SF1244-1QV40-1BA2>

**Image database (product images, 2D dimension drawings, 3D models, device circuit diagrams, EPLAN macros, ...)**

[http://www.automation.siemens.com/bilddb/cax\\_de.aspx?mlfb=3SF1244-1QV40-1BA2&lang=en](http://www.automation.siemens.com/bilddb/cax_de.aspx?mlfb=3SF1244-1QV40-1BA2&lang=en)





|   |   |       |
|---|---|-------|
| 1 | → | ASI + |
| 2 | → | n. c. |
| 3 | → | ASI - |
| 4 | → | n. c. |

last modified:

09/12/2019