

ET 200pro F-RSM Safety local Maintenance switch module Up to 16
A Disconnecter function for Main circuit and safety evaluation
functions Han Q4/2



Product brand name	SIMATIC
Product designation	Motor starters
Design of the product	safety local isolator module
Product type designation	ET 200pro

General technical data

Product function	
• on-site operation	Yes
Degree of pollution	3
Surge voltage resistance rated value	6 kV
maximum permissible voltage for safe isolation	
• between main and auxiliary circuit	400 V
Protection class IP	IP65
Shock resistance	15g / 11 ms
Type of assignment	1
Reference code acc. to DIN 40719 extended according to IEC 204-2 acc. to IEC 750	A
Reference code acc. to DIN EN 81346-2	Q
Reference code acc. to DIN EN 61346-2	Q
Product component Motor brake output	No

Product feature	
• brake control with 230 V AC	No
• brake control with 400 V AC	No
• brake control with 24 V DC	No
• brake control with 180 V DC	No
• brake control with 500 V DC	No
Product function Short circuit protection	Yes
Design of short-circuit protection	circuit-breakers
Maximum short-circuit current breaking capacity (Icu)	
• at 400 V rated value	50 000 A

Safety related data

Safety device type acc. to IEC 61508-2	Type B
Safety Integrity Level (SIL) acc. to IEC 61508	3
Stop category acc. to DIN EN 60204-1	0
Safe failure fraction (SFF)	99 %
PFHD with high demand rate acc. to EN 62061	0.000000000054 1/h
MTTFd	100 y
Hardware fault tolerance acc. to IEC 61508	1
T1 value for proof test interval or service life acc. to IEC 61508	10 y
Safe state	Load circuit open
Protection against electrical shock	finger-safe

Main circuit

Number of poles for main current circuit	3
Adjustable pick-up value current of the current-dependent overload release	16 ... 16 A
Type of voltage	AC
Operating voltage	
• rated value	200 ... 400 V
Operating range relative to the operating voltage at AC	
• at 50 Hz	200 ... 440 V
Operating current	
• at AC at 400 V rated value	16 A
• at AC-3	
— at 400 V rated value	16 A

Inputs/ Outputs

Product function	
• digital inputs parameterizable	No
• digital outputs parameterizable	No
Number of digital inputs	2
Number of sockets	

- for digital output signals 0
- for digital input signals 2

Supply voltage

Type of voltage of the supply voltage	DC
Supply voltage 1 at DC	24 ... 24 V
Supply voltage 1 at DC rated value	
• minimum permissible	20.4 V
• maximum permissible	28.8 V

Control circuit/ Control

Type of voltage of the control supply voltage	DC
Control supply voltage at DC	
• rated value	20.4 ... 28.8 V
Control supply voltage 1	
• at DC rated value	20.4 ... 28.8 V
• at DC	24 ... 24 V

Installation/ mounting/ dimensions

Mounting position	any
Mounting type	screw fixing
Height	230 mm
Width	110 mm
Depth	170 mm

Ambient conditions

Installation altitude at height above sea level	
• maximum	3 500 m
Relative humidity during operation	5 ... 95 %

Communication/ Protocol

Protocol is supported	
• PROFIBUS DP protocol	Yes
• PROFINET protocol	Yes
Design of the interface	
• PROFINET protocol	Yes
Product function Bus communication	Yes
Protocol is supported	
• AS-Interface protocol	No
Product function	
• supports PROFIenergy measured values	No
• supports PROFIenergy shutdown	No
address range memory of address range	
• of the inputs	1 byte
• of the outputs	0 byte

Type of electrical connection	
<ul style="list-style-type: none"> of the communication interface 	via backplane bus

Connections/ Terminals

Type of electrical connection	
<ul style="list-style-type: none"> 1 for digital input signals 2 for digital input signals 3 for digital input signals 4 for digital input signals 	<p>M12 socket</p> <p>M12 socket</p> <p>M12 socket</p> <p>M12 socket</p>

Type of electrical connection	
<ul style="list-style-type: none"> at the manufacturer-specific device interface for main energy infeed for load-side outgoing feeder for main energy transmission for supply voltage line-side for supply voltage transmission 	<p>optical interface</p> <p>socket according to ISO23570</p> <p>socket according to ISO23570</p> <p>socket according to ISO23570</p> <p>via backplane bus</p> <p>via backplane bus</p>

UL/CSA ratings

Operating voltage	
<ul style="list-style-type: none"> at AC at 60 Hz acc. to CSA and UL rated value 	600 V

Certificates/ approvals

General Product Approval	EMC	Declaration of Conformity
 CCC	 EAC	 EG-Konf.
 CSA	 UL	 RCM

Test Certificates	other
--------------------------	--------------

[Type Test Certificates/Test Report](#)

[Confirmation](#)

Further information

Information- and Downloadcenter (Catalogs, Brochures,...)

www.siemens.com/sirius/catalogs

Industry Mall (Online ordering system)

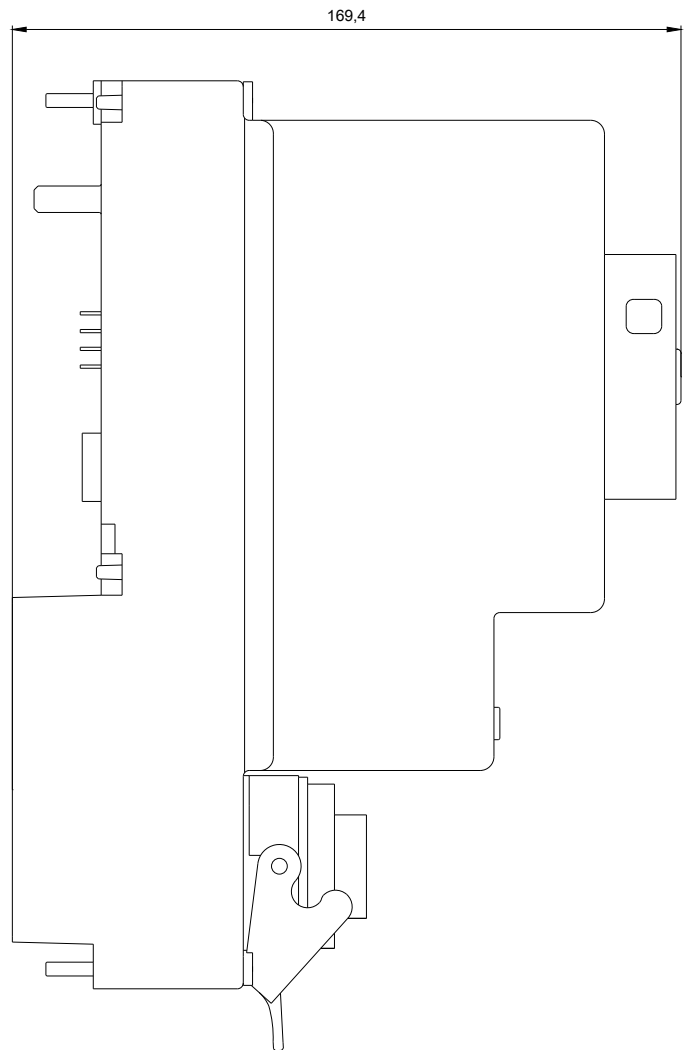
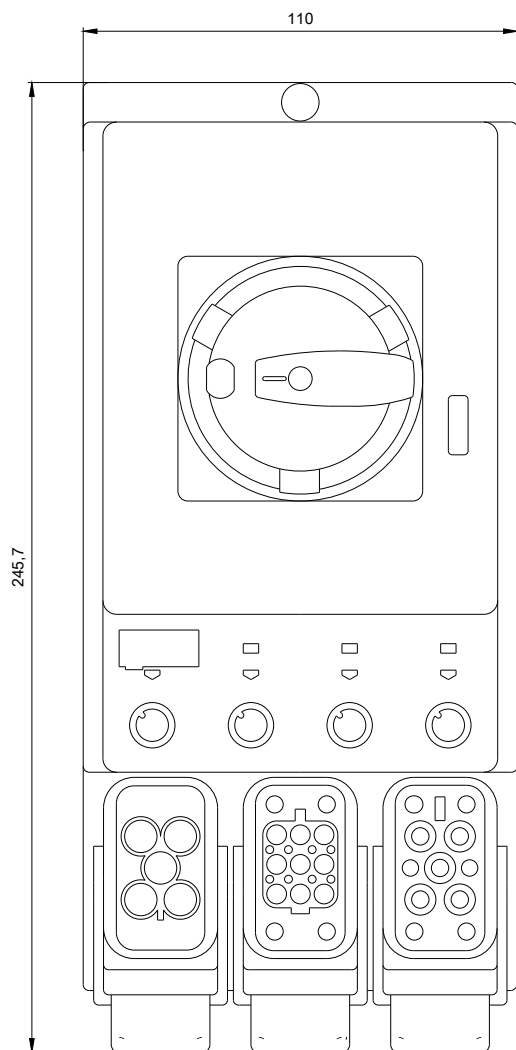
<https://mall.industry.siemens.com/mall/en/en/Catalog/product?mfb=3RK1304-0HS00-7AA0>

Cax online generator

<http://support.automation.siemens.com/WW/CAXorder/default.aspx?lang=en&mfb=3RK1304-0HS00-7AA0>

Service&Support (Manuals, Certificates, Characteristics, FAQs,...)

<https://support.industry.siemens.com/cs/ww/en/ps/3RK1304-0HS00-7AA0>



last modified:

09/13/2019