

SIRIUS MCU motor starter Enclosure degree of protection IP55
 plastic Communication AS-Interface electromechanically switching
 Short-circuit protection with circuit breaker DOL starter Brake without
 Performance class 0.80 A Motor circuit breaker with bi-metal thermal
 Manual operation without Connection power M screw connection
 Standard product



Figure similar

| General technical data: | |
|---|----------------|
| Design of the product | direct starter |
| Product function | |
| • Bus communication | Yes |
| • Short circuit protection | Yes |
| Protocol is supported | |
| • AS-interface protocol | Yes |
| • PROFINET protocol | No |
| • PROFIBUS DP protocol | No |
| Product component Motor brake output | No |
| Product feature | |
| • brake control with 24 V DC | No |
| • brake control with 180 V DC | No |
| • brake control with 500 V DC | No |
| • brake control with 230 V AC | No |
| • brake control with 400 V AC | No |
| Product extension braking module for brake control | No |

| | |
|---|--------|
| Type of assignment | 1 |
| Width | 182 mm |
| Height | 220 mm |
| Depth | 145 mm |
| Operating frequency minimum | 80 1/h |
| Equipment marking acc. to DIN 40719 extended according to IEC 204-2 acc. to IEC 750 | A |
| Equipment marking acc. to DIN EN 61346-2 | Q |

Control circuit/ Control:

| | |
|---|----------------------|
| Type of voltage | DC |
| Control supply voltage | |
| <ul style="list-style-type: none"> • at DC rated value — minimum — maximum | 20.4 V 26.4 V |
| Number of digital inputs | 0 |

Main circuit:

| | |
|---|-------------------|
| Design of short-circuit protection | circuit-breakers |
| Type of the motor protection | bimetal |
| Design of the switching contact | electromechanical |
| Operating current at AC at 400 V rated value | 0.8 A |
| Operating voltage rated value | 340 ... 440 V |
| Operating power at AC-3 at 400 V rated value | 0.18 kW |
| Operating power for three-phase motors at 400 V at 50 Hz | 0.18 ... 0.18 kW |
| Adjustable pick-up value current of the current-dependent overload release | 0.55 ... 0.8 A |
| Maximum short-circuit current breaking capacity (I _{cu}) at 400 V rated value | 50 000 A |
| Number of poles for main current circuit | 3 |

Connections/ Terminals:

| | |
|--|----------------------|
| Type of electrical connection for main current circuit | screw-type terminals |
|--|----------------------|

Ambient conditions:

| | |
|--------------------------------------|----------------|
| Protection class IP | IP55 |
| Ambient temperature during operation | -25 ... +35 °C |

Certificates/ approvals:

| | | | |
|--------------------------|---------------------------|-------------------|-------|
| General Product Approval | Declaration of Conformity | Test Certificates | other |
|--------------------------|---------------------------|-------------------|-------|



[Miscellaneous](#)

[Type Test Certificates/Test Report](#)

[Confirmation](#)

Further information

Information- and Downloadcenter (Catalogs, Brochures,...)

<http://www.siemens.com/industrial-controls/catalogs>

Industry Mall (Online ordering system)

<http://www.siemens.com/industrymall>

Cax online generator

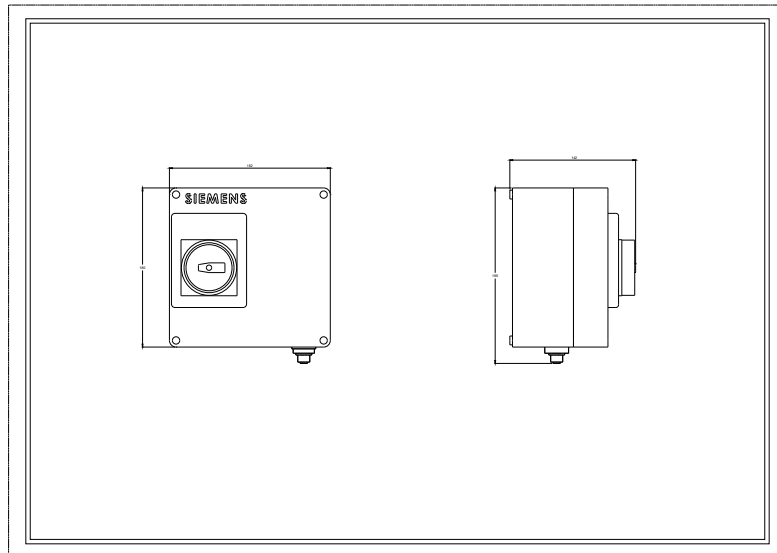
<http://support.automation.siemens.com/WW/CAXorder/default.aspx?lang=en&mfb=3RK4320-3BR51-0BA0>

Service&Support (Manuals, Certificates, Characteristics, FAQs,...)

<https://support.industry.siemens.com/cs/ww/en/ps/3RK4320-3BR51-0BA0>

Image database (product images, 2D dimension drawings, 3D models, device circuit diagrams, EPLAN macros, ...)

http://www.automation.siemens.com/bilddb/cax_de.aspx?mfb=3RK4320-3BR51-0BA0&lang=en



last modified:

07/25/2019