

Basic switch without actuator head Plastic enclosure 50 mm wide
 ASIsafe integrated AS-i status: 1:F-IN1, 2: F-IN2 3:AS-i/FAULT Slow-
 action contacts 1 NC with M12 connector 4-pole Channel 1 to NC,
 Channel 2 to M12 socket on the right



Product brand name	SIRIUS
Product designation	Mechanical safety switches
Product type designation	3SF12
Manufacturer's article number	
<ul style="list-style-type: none"> of the supplied basic switch 	3SF1244-1KC05-1BA2
Suitability for use safety switch	Yes

General technical data	
Product function	
<ul style="list-style-type: none"> positive opening 	Yes
Degree of pollution	class 3
Surge voltage resistance rated value	0.8 kV
Protection class IP	IP66/IP67
Shock resistance	
<ul style="list-style-type: none"> acc. to IEC 60068-2-27 	30 g / 11 ms
Mechanical service life (switching cycles)	
<ul style="list-style-type: none"> typical 	15 000 000
Reference code acc. to DIN EN 81346-2	B
Reference code acc. to DIN EN 61346-2	B
Active principle	mechanical

Repeat accuracy	0.1 mm
Minimum actuating force in activation direction	20 N
Length of the sensor	60.7 mm
Width of the sensor	50 mm
Design of the switching contact	mechanical
Number of NC contacts for auxiliary contacts	2
Number of NO contacts for auxiliary contacts	0
Number of CO contacts for auxiliary contacts	1
Design of the interface for safety-related communication	ASIsafe via M12 plug, channel 2 looped through to M12 socket on the right

Enclosure

Design of the housing	block, wide
Material of the enclosure	plastic
Design of the housing acc. to standard	No

Drive Head

Design of the operating mechanism	Other, without, ASi_basic switch with plug
Design of the switching function	positive opening
Circuit principle	slow-action contacts
Number of switching contacts safety-related	1

Connections/ Terminals

Type of electrical connection	M12 plug, fixed, 4-pole
Design of plug-in connection	M12 plug, 4-pole: Pin 1 = ASI+ , Pin 2 = not assigned, Pin 3= ASI- , Pin 4 = not assigned
AS interface slave profile	0.B.F
ID1 code	F (hex, variable 0...F)

Supply voltage

Type of voltage of the supply voltage	DC
• of the optional LED indicator	
Supply voltage	24 V
• of LED	

Installation/ mounting/ dimensions

Mounting position	any
Mounting type	screw fixing

Certificates/ approvals

General Product Approval	Functional Safety/Safety of Machinery	Declaration of Conformity	Test Certificates
--------------------------	---------------------------------------	---------------------------	-------------------



[Type Examination Certificate](#)



[Miscellaneous](#)

[Type Test Certificates/Test Report](#)

other

[Confirmation](#)

Further information

Information- and Downloadcenter (Catalogs, Brochures,...)

www.siemens.com/sirius/catalogs

Industry Mall (Online ordering system)

<https://mall.industry.siemens.com/mall/en/en/Catalog/product?mlfb=3SF1244-1KC05-1BA2>

Cax online generator

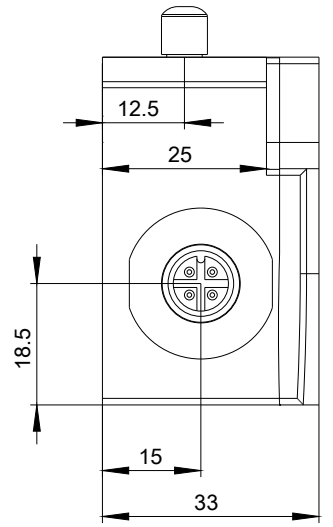
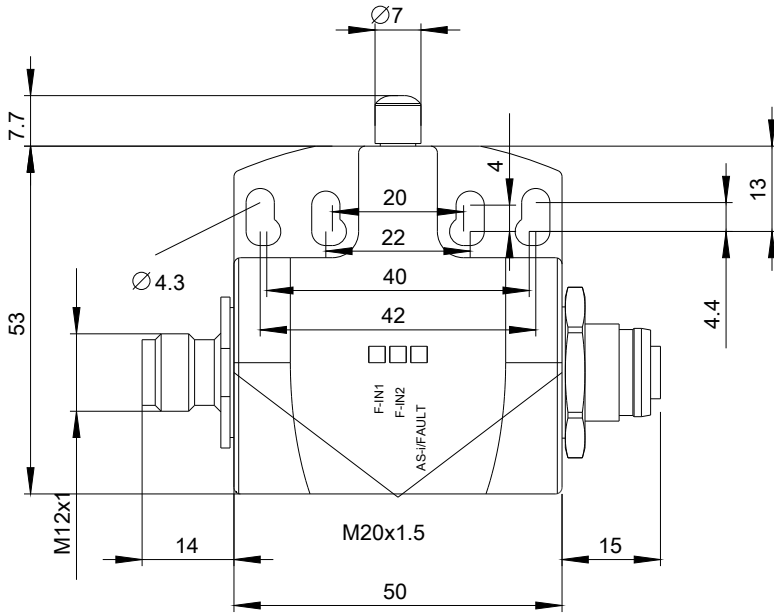
<http://support.automation.siemens.com/WW/CAXorder/default.aspx?lang=en&mlfb=3SF1244-1KC05-1BA2>

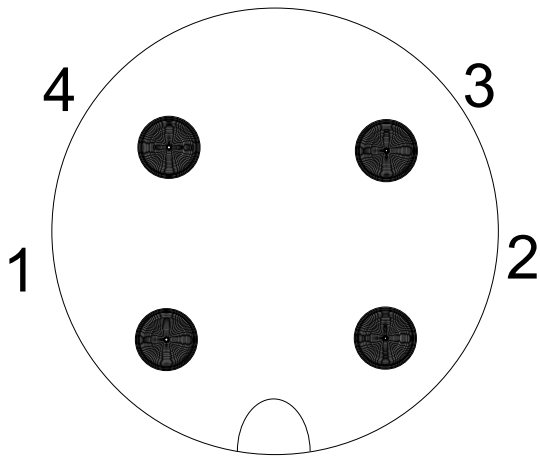
Service&Support (Manuals, Certificates, Characteristics, FAQs,...)

<https://support.industry.siemens.com/cs/ww/en/ps/3SF1244-1KC05-1BA2>

Image database (product images, 2D dimension drawings, 3D models, device circuit diagrams, EPLAN macros, ...)

http://www.automation.siemens.com/bilddb/cax_de.aspx?mlfb=3SF1244-1KC05-1BA2&lang=en





1	→	ASI +
2	→	n. c.
3	→	ASI -
4	→	n. c.

last modified:

09/12/2019