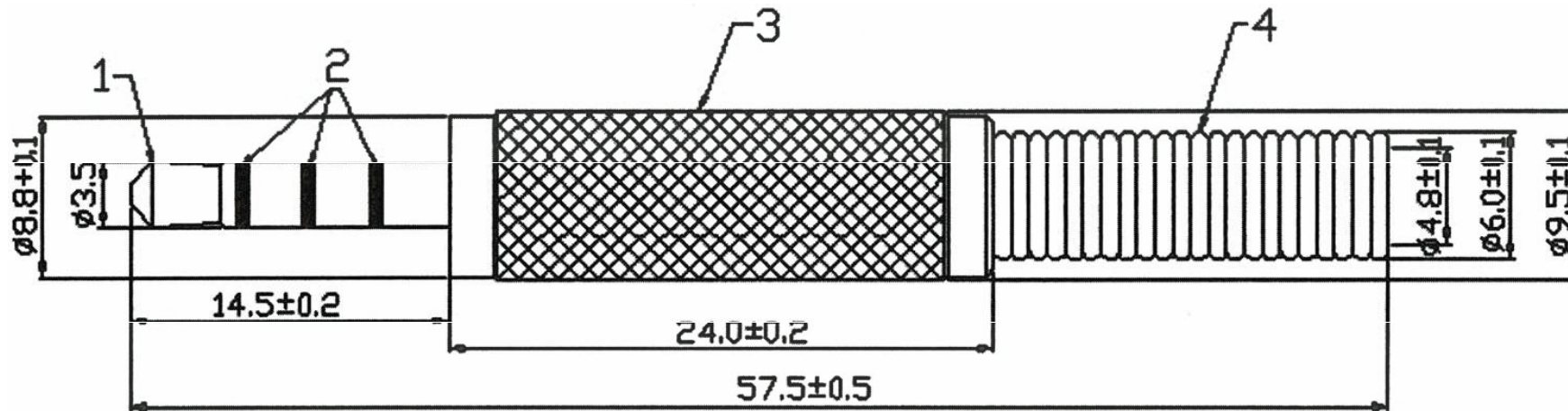


# Datenblatt



6	CRIMPING PATCH	Cu
5	BODY	Cu
4	SPRING	Fe
3	SHELL	Cu
2	DIELECTRIC	POM
1	FRONT POINT	Cu
ITEM	DESIGNATION	MATERIAL

