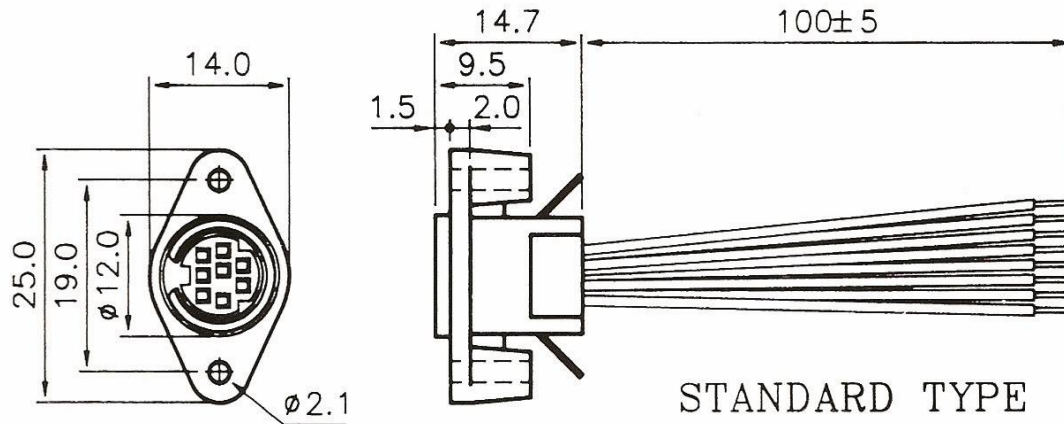
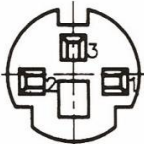
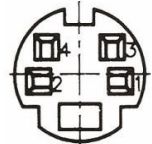
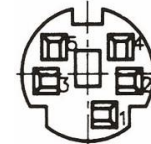
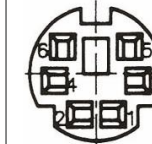
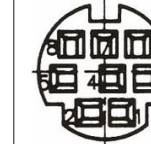


# Datenblatt



**Rating:** 100V AC 1A MAX or  
12V DC 2A MAX  
**Insulation Resistance:** 50MΩ min. at 250V DC  
**Dielectric Strength:** 250V AC/1minute  
**Contact Resistance:** 30mΩ MAX  
**Insertion Force:** 4.5kg MAX  
**Withdrawal Force:** 0.9kg~3kg  
**Wire:** AWG#26  
**All materials must be RoHS compliant.**

ARRANGEMENT OF CONTACTS						
NO. OF CONTACTS		3	4	5	6	8
WIRE COLOR	1	BLACK	BLACK	BROWN	BROWN	BROWN
	2	GREEN	GREEN	BLACK	WHITE	WHITE
	3	ORANGE	YELLOW	GREEN	BLACK	BLACK
	4	---	RED	YELLOW	GREEN	BLUE
	5	---	---	RED	YELLOW	GREEN
	6	---	---	---	RED	YELLOW
	7	---	---	---	---	ORANGE
	8	---	---	---	---	RED