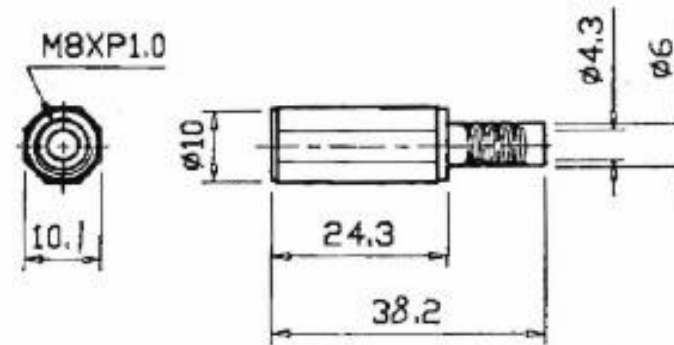
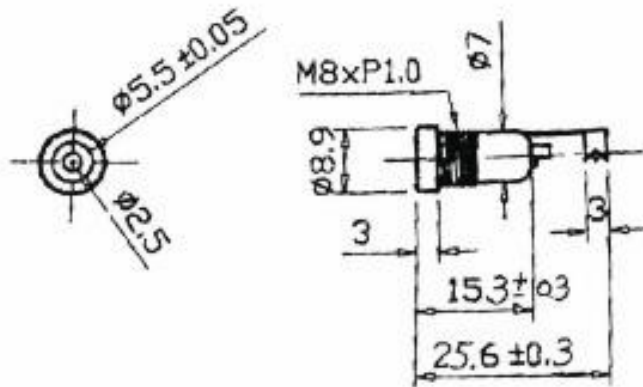
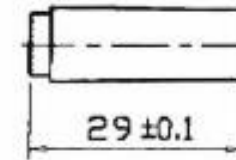
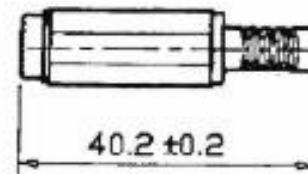


# Datenblatt



## MATERIAL LIST:

ITEM	DESCRIPTION	MATERIAL
1	PLASTIC HANDLE	PE
2	BODY	BRASS
3	CRIMPING PATCH	BRASS
4	SOLDERING PATCH	BRASS
5	DIELECTRIC	ABS
6	SPRING	STEEL



## SPECIFICATION:

1. RATING: 5A, 12VDC
2. OPERATING TEMPERATURE:  
-25°C to +85°C